

# 24" Marvel Professional High-Efficiency Single Zone Wine Cellar

Model # MP24WS\*\*\*\*

- Dynamic Cooling Technology™ delivers rapid cooldown and the industry's best temperature stability
- Soft-close integrated hinge provides a seamless zero clearance installation and a smooth, gentle close
- Professional styling: framed stainless steel door, sturdy full-length handle, sleek stainless steel shelf fronts and 4" adjustable stainless steel toe kick
- MARVEL Intuit™ Integrated Controls provide precise temperature management from 40°F to 65°F
- Two-stage, soft blue theatre-style LED lighting and sophisticated midnight black interior
- Heavy-gauge wine racks are shaped to safely cradle each wine bottle
- Full-extension ball bearing smooth-glide shelf system prevents jarring
- Thermal-efficient cabinet ensures optimum wine preservation and energy efficiency while maximizing capacity
- Tinted, UV-resistant dual pane glass door protects wine from damaging ultra-violet light
- Audible and visual alarms signal when door is left ajar to protect the wines integrity and energy use
- Vacation/Sabbath mode conserves energy during times when the unit is not in use and complies with Star-K requirements
- Door lock to protect your collection
- Height adjustment up to 1" with leveling legs
- Up to 2x more efficient than leading competitors
- Vibration Neutralization System™ protects wine from agitation
- 3-year warranty



## Storage Capacity

Up to 48 bottles total

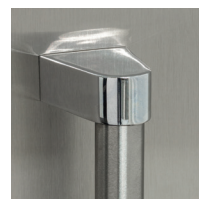
## Storage Configuration

- (5) 8-bottle smooth-glide full wine racks
- (2) 4-bottle smooth-glide half-depth wine racks

## Product Dimensions

23<sup>7</sup>/<sub>8</sub>" W x 33<sup>3</sup>/<sub>4</sub>" minimum H x 25<sup>5</sup>/<sub>8</sub>" D (including handle)

## Finish/Door Options



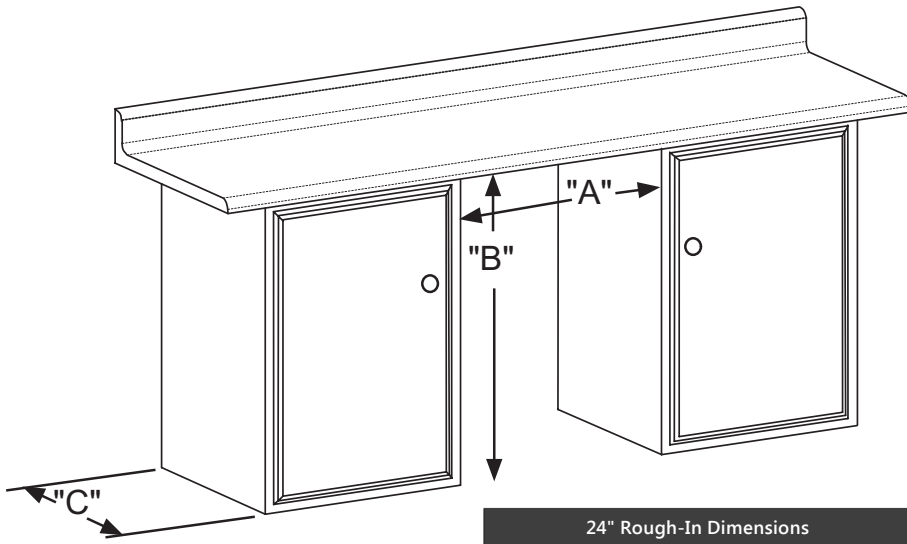
Stainless Steel



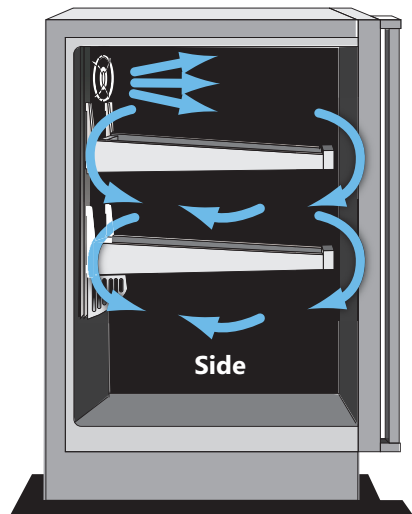
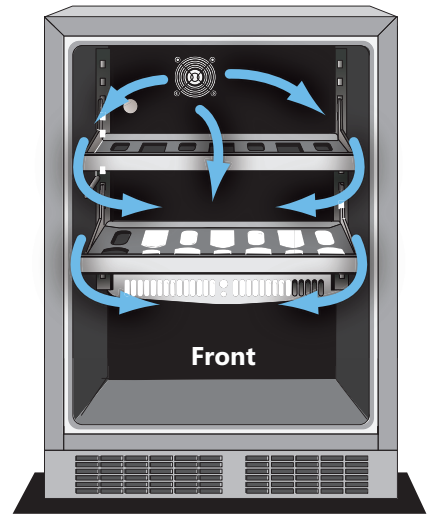
Wood Overlay  
(Panel Ready)

Ordering Details	
Stainless Frame, Glass Door With Lock, Integrated Right Hinge	MP24WSG4RS
Stainless Frame, Glass Door With Lock, Integrated Left Hinge	MP24WSG4LS
Panel Overlay Frame Ready Glass Door, Integrated Right Hinge With Lock	MP24WSF4RP
Panel Overlay Frame Ready Glass Door, Integrated Left Hinge With Lock	MP24WSF4LP

No panel installation kit required.



24" Rough-In Dimensions		
"A"	"B"	"C"
24" (61 cm)	34" to 35" (86.4 cm to 88.9 cm)	24" (61 cm)



Cabinet Dimensions		
"D"	"E"	"F"
23 7/8" (60.7 cm)	33 3/4" to 34 3/4" (85.7 to 88.3 cm)	23 23/32" (60.2 cm)
"G"	"H"	"J"
26 7/32" (66.6 cm)	46 1 3/32" (117.9 cm)	26 7/16" (67.2 cm)

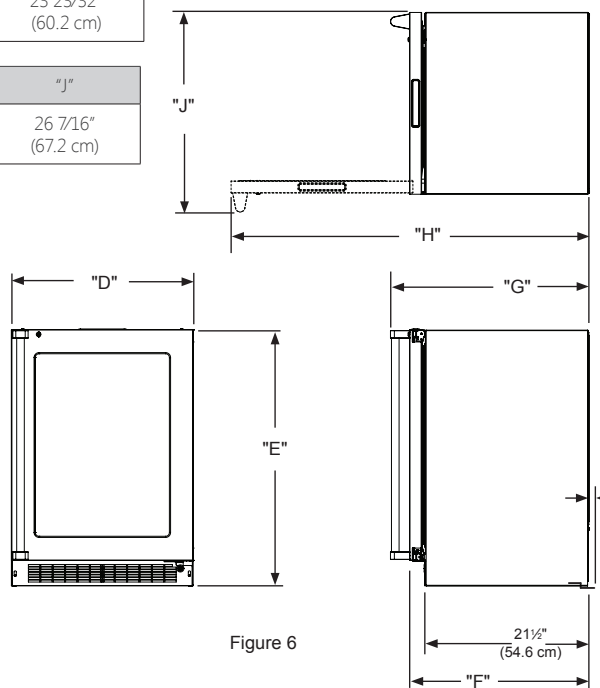


Figure 6

### Dynamic Cooling Technology™ delivers rapid cool down and the industry's best temperature stability

The distinctive Marvel design features a thermal-efficient cabinet and door combined with Dynamic Cooling Technology™ for superior temperature stability, faster cooling times and speedy temperature recovery even with high frequency.

<b>Width</b>	23 7/8"
<b>Interior Finish</b>	Black
<b>Capacity</b>	Up to 48 wine bottles
<b>Shelving System</b>	Side Mount - Bottle shape wire
<b>Shelf Fronts</b>	Stainless Steel
<b>Other Storage</b>	
<b>Interior Lighting</b>	2 Blue LED Pods
<b>Toe Grill Finish</b>	Stainless Steel
<b>Hinge</b>	Soft Close Integrated Hinge
<b>Handle</b>	Professional

<b>Control Type</b>	Intuit™
<b>Temperature Range</b>	40° - 65° F
<b>Lock</b>	Yes
<b>Electrical Requirements</b>	120V / 60Hz / 15A
<b>Length of Power Cord</b>	5'
<b>Product Dimensions</b>	23 7/8" W x 33 3/4" H x 21 1/2" D
<b>Depth to Front of Door</b>	23 23/32"
<b>Depth to Handle</b>	26 7/32"
<b>Depth with door at 90°</b>	46 3/4"
<b>Shipping Weight</b>	160 lbs

<b>Finishes</b>	SS, O
<b>Vacation / Sabbath Mode</b>	Yes
<b>Agency Approvals</b>	CSA
<b>Energy Star Certified</b>	NA

#### Finishes Key

SS = Stainless Steel  
O = Overlay

# Overlay Panels

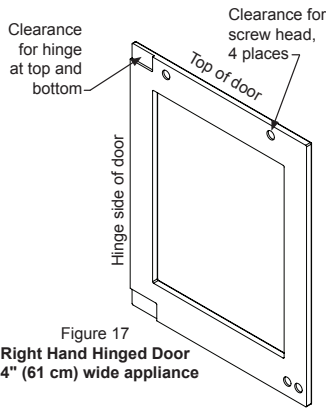


Figure 17  
Right Hand Hinged Door  
24" (61 cm) wide appliance

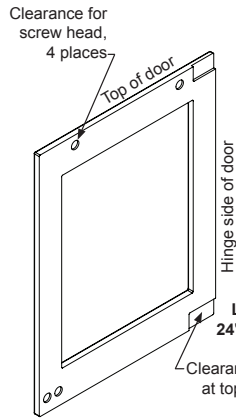


Figure 15  
Left Hand Hinged Door  
24" (61 cm) wide appliance

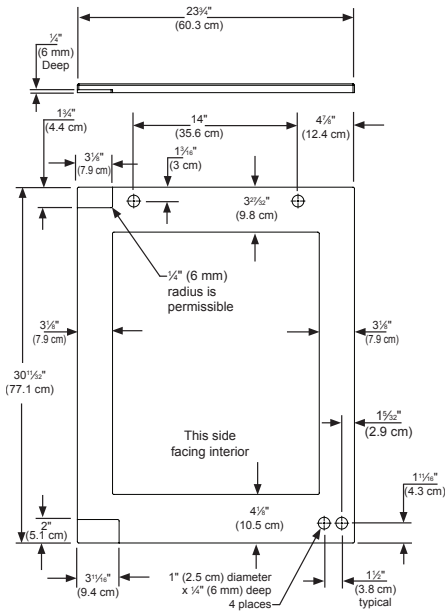


Figure 18  
Right Hand Hinged Door  
24" (61 cm) wide appliance

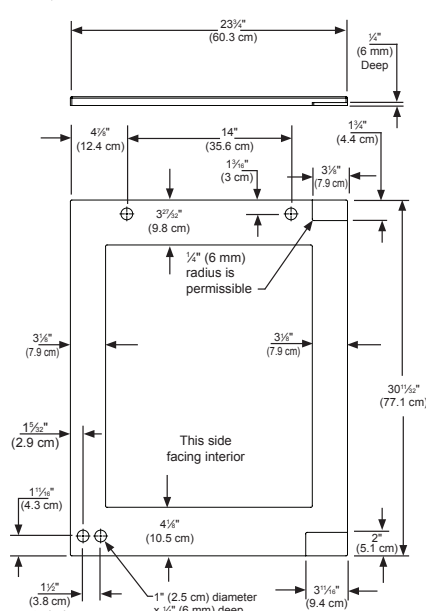
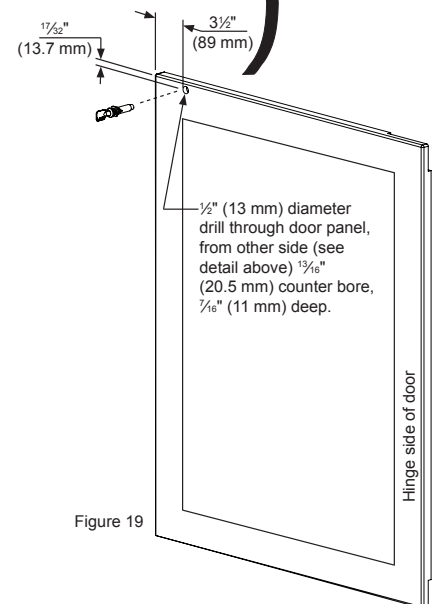
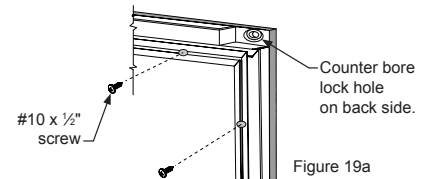


Figure 16  
Left Hand Hinged Door  
24" (61 cm) wide appliance



Material Type	#10 Wood Screw
Hardwood	1/8" (3.2 mm) Diameter. Pilot Hole
Softwood	7/64" (2.8 mm) Diameter. Pilot Hole

Table C

The preferred method of attaching the panel to the door is to clamp the panel to the door so it cannot move while drilling the screw pilot holes. Use bar clamps or "C" clamps with pads on the clamping surfaces that will not mar the panel or the door. The custom overlay panel should be flush with the top of the door and centered along the width of the door. See Figure 10a. Drill holes through the gasket extrusion using the 10 holes as pilot holes. Use the drill size from the chart in Table "C", being careful not to drill through the front surface of the panel, drill no deeper than 1/2" (12.7 mm) deep. If the overlay panel is thinner than 5/8" (16 mm) thick shorter screws will have to be obtained. Fasten the panel to the door with the 10 screws provided in the literature pack. (See Figure 19a). Remove the clamps and replace the gasket in the gasket extrusion channels of the door. Some force may be required to seat the gasket into the channels. Be sure the gasket corners are seated properly.

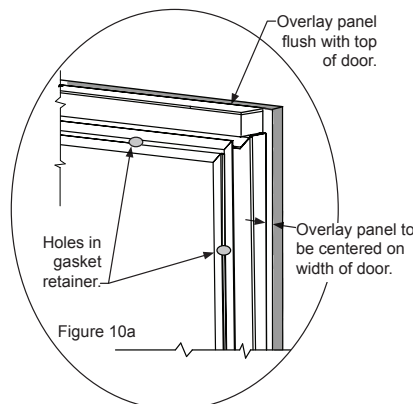


Figure 10a