

## LIMITED WARRANTY

The limited warranty is for twelve months on parts and labor from the date of sale. For customer service, please contact Wine Enthusiast by e-mail ([custserv@wineenthusiast.net](mailto:custserv@wineenthusiast.net)) or by phone (800-648-6058).

The limited warranty does not cover: Damage due to such things as accident, misuse, abuse, mishandling, neglect, fires, earthquakes, floods, high winds, unauthorized repair or any other cause beyond the control of the seller whether similar or dissimilar to the foregoing.

Purchaser understands and acknowledges that the goods sold here are wine refrigerators, which house wine. Purchaser assumes all risk of using these units, including risk of spoilage, humidity variations, temperature variations, leaks, fires, water damage, mold, mildew, dryness and similar perils that may occur.

### SERVICE & IMPORTANT NOTICE

- Upon receipt of unit and inspection, the supply cord must be replaced if it is damaged. Contact our customer service at 800-648-6058.
- **WARNING :**  
Please do not place the unit within reach of children. For adult use only.



## PORTFOLIO COLLECTION 20 BOTTLE CELLAR INSTRUCTION MANUAL

PLEASE READ AND FOLLOW ALL SAFETY RULES  
AND OPERATING INSTRUCTIONS BEFORE USING.

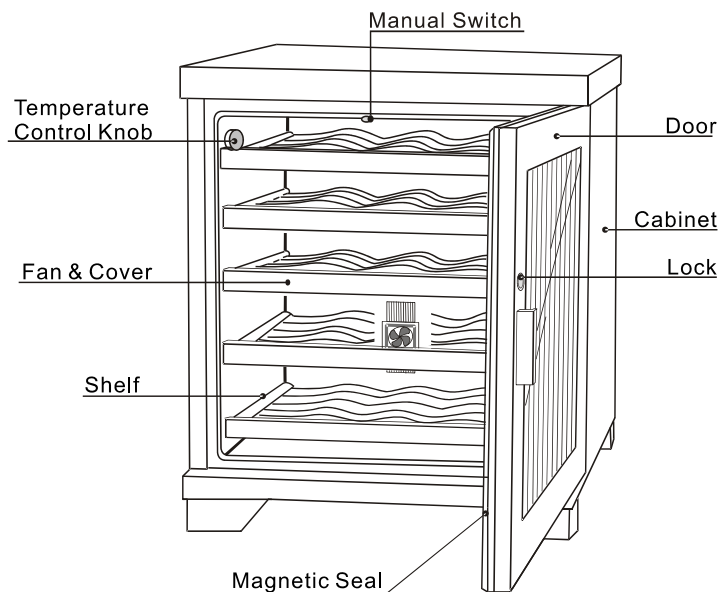
Manufacturer has a policy of continuous improvement on its products  
and reserves the right to change materials and specifications without notice.

**Call 1-800-356-8466 or Visit our Website at**

**WINEENTHUSIAST.COM**

**103 Fairview Park Drive, Elmsford, NY 10523**

## PARTS AND FEATURES



## SPECIFICATION

<b>Type</b>	<b>1 Temp</b>
<b>Item Number</b>	<b>231 02 20</b>
<b>Bottle Capacity</b>	20
<b>Case</b>	MDF + Wood Veneer
<b>Door</b>	Glass with Wood Frame (MDF + Wood Veneer)
<b>Dimension (H x W x D)</b>	H29.2" x W19" x D19.5"
<b>Weight</b>	77 Lbs.
<b>Power Consumption</b>	0.55 KW · h/24h
<b>Cooling System</b>	Thermoelectric
<b>Ambient Temperature</b>	72 – 78F
<b>Temperature Range</b>	50 – 65F
<b>Rated Voltage</b>	AC 110V
<b>Rated Frequency</b>	60Hz
<b>Input Power</b>	62W

## PROBLEMS WITH YOUR APPLIANCE

Try the suggestions below to see if you can solve the problem before calling for service.

### TROUBLESHOOTING GUIDE

<b>Problem</b>	<b>Possible Cause</b>
Appliance does not operate	<ul style="list-style-type: none"> <li>➤ Not plugged in</li> <li>➤ The circuit breaker tripped or a blown fuse</li> <li>➤ The power is not turned on from the control panel</li> <li>➤ The control knobs are placed in “OFF” position</li> </ul>
Appliance is not cold enough	<ul style="list-style-type: none"> <li>➤ Check the temperature control setting for each zone</li> <li>➤ External environment may be too warm</li> <li>➤ The doors are left open too long</li> <li>➤ The doors are not closed completely</li> <li>➤ The door gaskets do not seal properly</li> </ul>
Turns on and off frequently	<ul style="list-style-type: none"> <li>➤ The room temperature is hotter than suggested range</li> <li>➤ The door is opened too often</li> <li>➤ The door is not closed completely</li> <li>➤ The temperature control is not set correctly</li> <li>➤ The door gasket does not seal properly</li> </ul>
Vibrations	<ul style="list-style-type: none"> <li>➤ Check to assure that the appliance is level</li> </ul>
The appliance seems making too much noise	<ul style="list-style-type: none"> <li>➤ Contraction and expansion of the inside walls may produce popping and crackling noises</li> <li>➤ The appliance is not level</li> </ul>
The doors can not close properly	<ul style="list-style-type: none"> <li>➤ The appliance is not level</li> <li>➤ The door magnetic seal is dirty</li> <li>➤ The shelves are out of position</li> </ul>

- Wash the inside surfaces with warm water and baking soda solution. The solution should be about **2 tablespoons of baking soda to a quart of water**.
- Wash the shelves with **mild detergent solution**.
- Wipe the outside cabinet with furniture polish and clean soft cloth.

➤ **Power Failure**

- Most power failures are corrected within a few hours and should not affect the temperature of your appliance. Minimize the number of times the door is opened to maintain the internal temperature. If the power is going to be off for a longer period of time, you need to take the proper steps in order to protect your contents.

➤ **Vacation Time**

- **Short vacations:** Leave the appliance operating during vacations of less than three weeks.
- **Long vacations:** If the appliance will not be used for at least several months, remove all items and unplug the power cord. Clean and dry the interior thoroughly. To prevent door and mold growth, leave the doors open slightly, blocking them open if necessary.

➤ **Moving Your Appliance**

- Remove all items.
- Securely tape down all loose items (shelves) inside your appliance.
- Tape the door shuts.
- Ensure the appliance stays secure in the upright position during transportation. Also protect the outside of the appliance with a blanket, or with similar items.
- Leave unit unplugged for 24 hours before turning on in final destination.

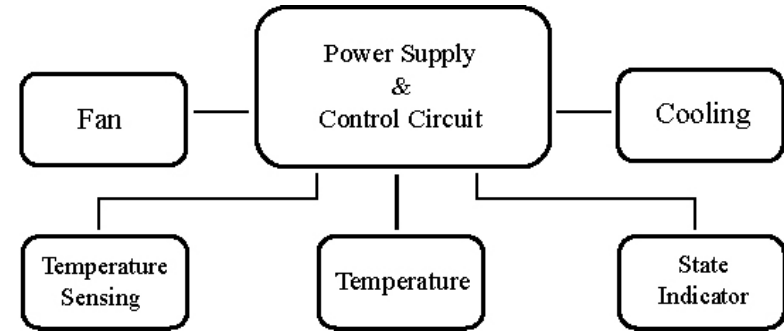
➤ **Energy Saving Tips**

- The appliance should be located in the coolest area of the room, away from heat producing appliances, and out from direct sunlight.
- Never open the door for a long time.

➤ **Care and Maintenance**

- The drip tray catches any condensation created by the unit and must be checked and cleaned frequently.

**CIRCUIT DIAGRAM**



**IMPORTANT SAFETY INSTRUCTIONS**

⚡ <b>WARNING</b> ⚡	To reduce the risk of fire, electrical shock or injury when using your appliance, follow these basic precautions.
<ul style="list-style-type: none"> <li>● Read all instructions before using the appliance.</li> <li>● <b>DANGER or WARNING:</b> Risk of child entrapment.</li> <li>● Child entrapment and suffocation are not problems of the past. Junked or abandoned appliances are still dangerous even if they will “just sit in the garage for a few days”.</li> <li>● <b>Before you throw away your old appliance:</b> Take off the doors. Leave the shelves in place so that children may not climb inside easily.</li> <li>● Never allow children to operate, play with, or crawl inside the appliance.</li> <li>● Never clean appliance parts with flammable fluids. The fumes can create a fire hazard or explosion.</li> <li>● Do not store or use gasoline or any other flammable vapours and liquids in the vicinity of this or any other appliance. The fumes may create a fire hazard or explosion.</li> </ul>	
-Save these instructions-	

**INSTALLATION INSTRUCTION**

➤ **Before Using Your Appliance**

- Remove the exterior and interior packing.
- Check to be sure you have all of the following parts:
  - Wooden / Metal Shelves (Number of pieces is subject to the model)
  - 1 Instruction Manual

- **Before connecting the appliance to the power source, let it stand upright for approximately 4 hours. This will reduce the possibility of a malfunction in the cooling system from handling during transportation.**

- Clean the interior surface with lukewarm water using a soft cloth and leave doors open to air out **BEFORE** plugging in your appliance.

➤ **Installation of Your Appliance**

- This appliance was designed to be free standing only, and should not be recessed or built-in.
- Please note that you should leave at least **8" space** from back wall.
- Please note that you should leave at least **6" space** for each side.
- Place your appliance on a floor that is strong enough to support it even when it is fully loaded. Floor surface should be even.
- Locate the appliance away from direct sunlight and sources of heat (stove, heater, radiator, etc.) Direct sunlight may affect the coating and heat sources may increase electrical consumption. Extreme cold ambient temperatures may also prohibit the unit from performing properly.
- Avoid locating the unit in moist areas.
- Never put heavy articles on top of the unit.
- Plug the appliance into an exclusive, properly installed-grounded 110 volt wall outlet. Do not under any circumstances cut or remove the third (ground) prong from the power cord. Any questions concerning power and/or grounding should be directed toward a certified electrician or a service center authorized by The Wine Enthusiast.

➤ **Electrical Connection**

⚡ **WARNING** ⚡


Improper use of the grounded plug can result in the risk of electrical shock. If the power cord is damaged, have it replaced by a service centre authorized by The Wine Enthusiast.

- This appliance requires a standard **110 Volts A.C. ~/ 60Hz** electrical outlet with three-prong ground.
- This appliance should be properly grounded for your safety. The power cord of this appliance is equipped with a three-prong plug which mates with standard three prong wall outlets to minimize the possibility of electrical shock.
- Plug the appliance into an exclusive properly installed-grounded 110 volt wall outlet. **Do not under any circumstances cut or remove the third (ground) prong from the power cord.**

Any questions concerning power and/or grounding should be directed to a certified electrician or a service centre authorized by The Wine Enthusiast.

- The cord should be secured behind the appliance and not left exposed or dangling to prevent accidental injury.
- Do not use an adapter plug with this appliance.
- Do not use an extension cord with this appliance. If the power cord is too short, a qualified electrician or service technician is needed to install an outlet near the appliance.

➤ **Setting the Temperature Control by Mechanical Control Knob**

<b>Mechanical Control Knob</b> 	To control the internal temperature, adjust the control dial to achieve your desired temperature.
	Temperature can be adjusted from <b>Max</b> Temp (Big Snowflake) / <b>Mid</b> Temp / <b>Min</b> Temp (Small Snowflake). See page 2 for model temperature range.
	For glass door units, the temperature control is approximately <b>50-65F</b> .
	To turn off the appliance, turn both temperature controls to minimum setting (small snowflake) and unplug the appliance
	Turning the temperature control to the “ <b>minimum</b> ” position can stop the cooling cycle of the corresponding chamber, but does not cut off the power to the appliance.
	It is recommended that you to install the appliance in a place where the ambient temperature is between <b>72-78 degrees</b> Fahrenheit. If the ambient temperature is above or below the recommended temperatures, the performance of the unit may be affected. For example, placing your unit in an extreme cold or hot condition may cause interior temperatures top fluctuate. The range of degrees Fahrenheit (also subject to door-see above) may not be reached.

**CARE AND MAINTENANCE**

➤ **Cleaning Your Appliance**

- Turn both temperature controls to minimum, unplug the appliance, and remove all items including the shelves.