



Echelon Series

Installation Guide



2275DWRR — Refrigerator Drawer

www.U-LineService.com

Phone (414) 354-0300 • FAX (414) 354-7905
Service & Parts Tech Lines Phone (800) 779-2547 • FAX (414) 354-5696
OnlineService@U-Line.com

©2007 U-Line Corporation
09/2007

Contents

Exterior Cleaning 4
 Cut-Out Dimensions 4
 Product Dimensions 5
 Clearances Information 5
 Other Site Requirements 6
 No Custom Drawer Panels 7
 Custom 1/4" Drawer Panel Inserts 7
 Full Overlay Drawer Panels 8
 Checking Drawer Alignment 9
 Adjusting Drawer Alignment 10
 Electrical Specifications 12
 Leveling Information 12
 Installation Tip 12
 Installation of the 2275DWRR 13
 Anti-Tip Kit Installation 13
 Installation Troubleshooting 14
 Initial Start-Up 14
 Start-Up Troubleshooting 15
 Service Information 15

1 Follow Safety Precautions

IMPORTANT

PLEASE READ all instructions completely before attempting to install or operate the unit.

- This unit requires connection to a grounded (three-prong), polarized receptacle that has been placed by a qualified electrician in accordance with applicable electrical codes.

Safety Alert Definitions

Safety items throughout this guide are labeled with a Danger, Warning or Caution based on the risk type:

⚠ DANGER

Danger means that failure to follow this safety statement will result in severe personal injury or death.

⚠ WARNING

Warning means that failure to follow this safety statement could result in serious personal injury, or death.

⚠ CAUTION

Caution means that failure to follow this safety statement may result in minor or moderate personal injury, property or equipment damage.

General Precautions

Use this appliance for its intended purpose only and follow these general precautions along with those listed throughout this guide:

WARNING

SHOCK HAZARD — Electrical Grounding Required.

- **Keep the unit unplugged throughout installation except during testing.**
- **Never remove the round grounding prong from the plug and never use a two-prong grounding adapter.**
- **Never use an extension cord to connect power to the unit.**
- **Always keep your working area dry.**

WARNING

The Anti-Tip Kit must be installed on this unit before it is used. Never use the drawers as steps or as a shelf to support more than the drawers' contents. Serious personal injury could occur.

CAUTION

- Use care when moving and handling the unit. Use gloves to prevent personal injury from sharp edges.
- Do not lift the unit by the drawer handle.
- Do not install the unit behind closed doors or in any way that would obstruct airflow to the front grille, which may cause the unit to malfunction.

2 Inspect and Plan

You have received a carton containing your 2275DWRR Drawer Model Refrigerator with a package inside containing a Use and Care Guide, a Product Registration Card and Anti-Tip Kit. Complete and mail the Product Registration Card or register online at www.U-LineService.com. Once your unit is installed, keep the Use and Care Guide and this Installation Guide in a safe place for future reference.

Your unit is Overlay or Stainless Steel. Overlay units have drawers with top handles designed for the installation of full overlay drawer panels. When full overlay panels will not be used, replacement handles **MUST** be installed (part number 26070-01). Stainless Steel units have drawers with seamless full wrap stainless steel fronts (that do not accept custom panels), sculpted stainless steel handles and black vinyl-clad cabinets. Please carefully follow the directions that apply to your unit and your intended design.

Tools/Materials Required

- Wrenches
- Screwdrivers — slotted and Phillips head
- 1/4-inch thick drawer panel material and cutting tools (Overlay units) (If installing a 1/4" Panel)
- 3/4-inch thick drawer panel overlay material, cutting tools, drill and bits (Overlay units) (If installing a 3/4" Full Overlay)

Inspection

Unwrap and inspect the unit on a flat, level surface capable of supporting its entire weight.

Removing Protective Coating

All Models:

The protective coating covering the inside of both top and bottom drawers must be removed before using.

Stainless Steel Models:

When inspecting/installing a Stainless Steel unit, the protective coating covering the drawer fronts must be removed. Start at a corner of the drawers and pull back the protective coating to remove it from the drawer fronts.

After all the protective coating has been removed from the drawers, clean all Stainless Steel surfaces with Claire Stainless Steel Polish and Cleaner or comparable product or a mild detergent and warm water solution and soft cloth. Do NOT use abrasive cleaning agents.

Note: If cleaning with mild detergent and warm water solution and soft cloth, the unit **MUST** be treated with Claire Stainless Steel Polish and Cleaner or comparable product to prevent discoloration.

Exterior Cleaning

(As Required)

Overlay Models:

- The drawers, grille and cabinet may be cleaned with a mild detergent and warm water solution. Do not use solvent-based or abrasive cleaners. Use a soft sponge and rinse with clean water. Wipe with a soft, clean towel to prevent water spotting.

Stainless Steel Models:

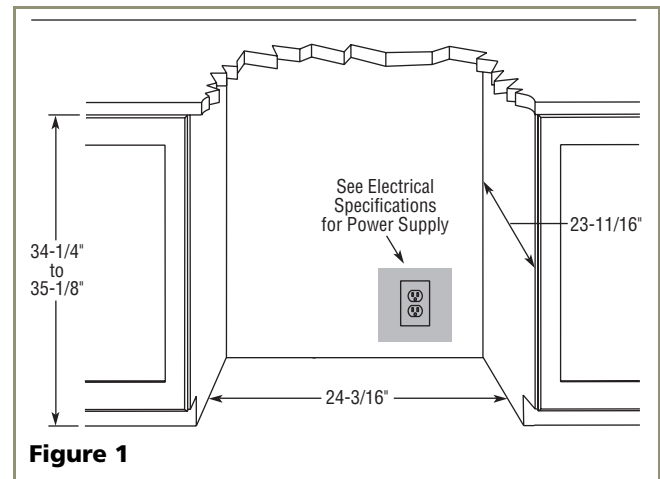
- Stainless steel models can discolor when exposed to chlorine gas, pool chemicals, salt water or cleaners with bleach.
- Keep your stainless steel unit looking new by cleaning with a good quality all-in-one stainless steel cleaner/polish on a monthly basis. For best results use Claire Stainless Steel Polish and Cleaner, which can be purchased from U-Line Corporation. (The part number is 173348.) Comparable products are acceptable. Frequent cleaning will remove surface contamination that could lead to rust. Some installations may require cleaning on a weekly basis.
- **Do not clean with steel wool pads.**
- **Do not use cleaners that are not specifically intended for stainless steel (this includes glass, tile and counter cleaners).**
- If any surface discolors or rusting appears, clean it quickly with Bon-Ami or Barkeepers Friend Cleanser and a non-abrasive cloth. Always clean in the direction of the grain. Always finish this process with Claire Stainless Steel Polish and Cleaner or comparable product to prevent further problems.
- **Use of abrasive pads such as Scotchbrite will cause the graining in the stainless to become blurred.**
- Rust that is allowed to linger can penetrate into the surface of the stainless steel and complete removal of the rust may not be possible.

3 Prepare Site

Your U-Line product has been designed for built-in installation. Your unit does not require additional air space for top, sides or rear. However, the front grille must NOT be obstructed and clearance is required for electrical connection in the rear.

Note: Unit can NOT be installed behind a closed cabinet door.

Cut-Out Dimensions



Follow the cut-out drawing in **Figure 1**. The 24-3/16" width allows 1/4" for ease in installation and removal of the unit. 24" is the cabinet depth in most installations. The unit is 23-11/16" deep including the drawer and not the full handle or 3/4" overlay (see **Figure 2**).

Product Dimensions

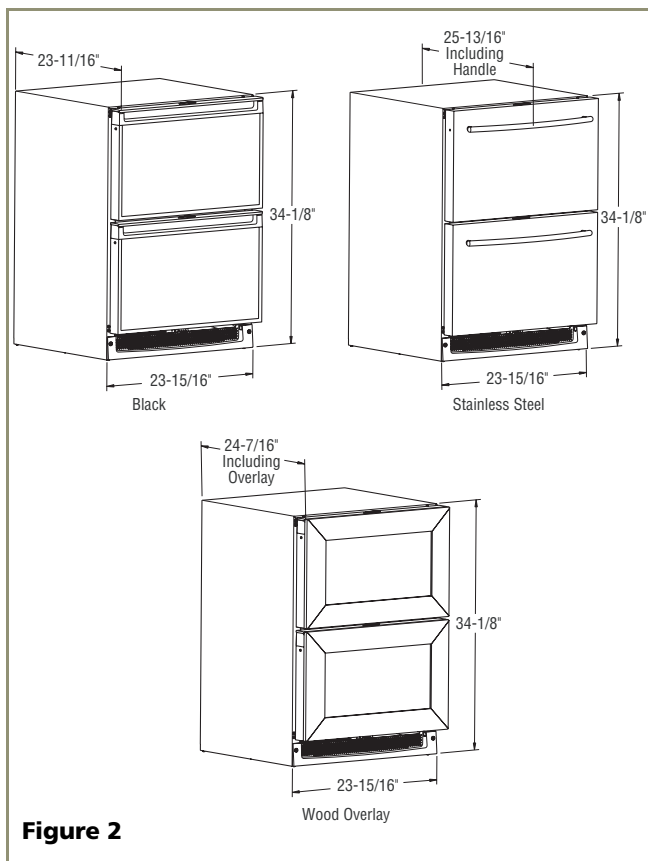


Figure 2

Please note that the unit has adjustable feet that can add one additional inch to height during leveling or to match adjacent cabinets (see **Figure 25** on **Page 12**).

Clearances Information

The unit must be installed in a wall or under a countertop to allow for the installation of the Anti-Tip Kit (see **Page 13**).

⚠ WARNING

The Anti-Tip Kit must be installed on this unit before it is used. Never use the drawers as steps or as a shelf to support more than the drawers' contents. Serious personal injury could occur.

The unit is designed so it can be installed next to a wall on either side (see **Figure 3**).

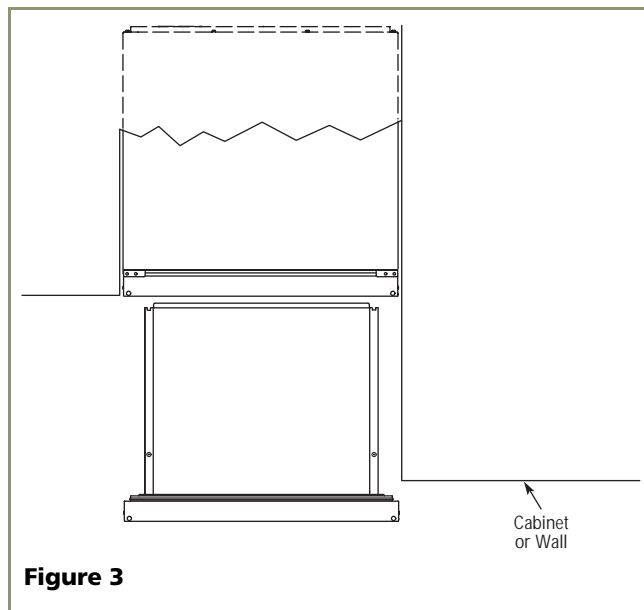
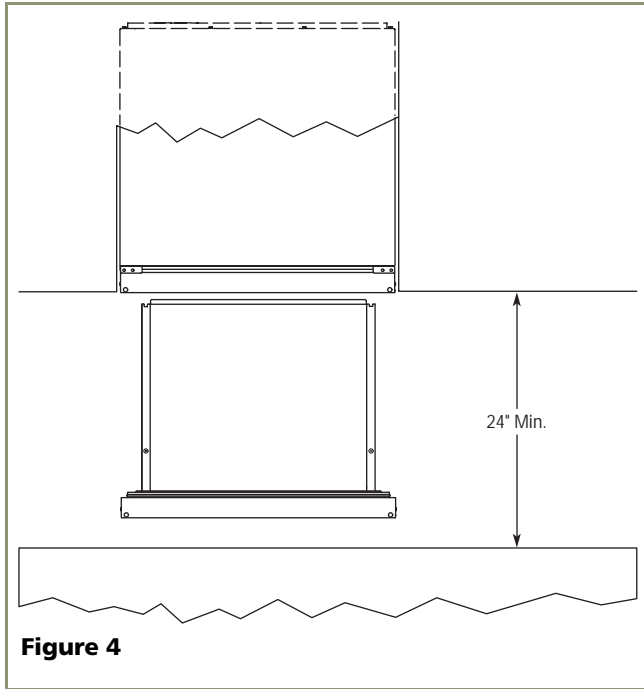


Figure 3

The drawer unit can be installed with an appliance or fixture located in front of it, as long as there is adequate clearance for the drawer to be opened and removed when servicing (see **Figure 4**).

Note: U-Line recommends you consider additional clearance in front of the open drawer for convenience.



Other Site Requirements

Power Supply

The unit requires a grounded and polarized 115 VAC, 60 Hz, 15A circuit (normal household current). See *Electrical Specifications* on **Page 12**.

Environmental Requirements

Many U-Line models are designed to operate in harsh outdoor/marine environments. Special considerations include the following:

- The units are designed to operate between 50°F (10°C) and 110°F (40°C). High ambient temperatures (110°F [40°C] or higher) may reduce the unit's ability to reach low temperatures and may also reduce the ice production rate for those models with icemakers.
- If the ambient temperature is expected to drop below 45°F (7°C), drain all water from the unit to prevent freezing damage not covered by the warranty.
- For best performance, keep the unit out of direct sunlight and away from heat generating equipment.
- For best performance and life outdoors, place under a counter or provide shelter of some kind.
- In climates where high humidity and dew points are present, condensation may appear on outside surfaces. This is considered normal. The condensation will disappear when the humidity drops.

4 Prepare and Install Drawer Panel

(Overlay Units Only)

The Overlay unit comes standard out of the factory ready to accept the 3/4" Full Overlay Panels.

Two types of custom drawer panels can be installed on your Overlay unit to harmonize with or accent the surrounding décor: Custom 1/4" Inserts or Full Overlays. Overlay units may also be installed with no custom drawer panel.

No Custom Drawer Panels

When full overlay drawer panels are not used, replacement handles (part number 26070-01) **MUST** be installed on each drawer. To replace the handle when no custom panel will be installed, follow the instructions under Custom 1/4" Drawer Panel Inserts, Door Panel Installation below, disregarding Steps 4 and 5.

Custom 1/4" Drawer Panel Inserts

Drawer Panel Preparation

Custom drawer panels can be inserted into the drawer fronts. Custom drawer panels can be flat or raised, as long as the maximum panel thickness where inserted into the drawer front reveal (channel) is 1/4" -thick. For raised panels, the depth of the reveal is 1/4" on all four sides.

IMPORTANT

Raised panels will reduce the drawer's front clearance if the unit is installed facing an appliance or structure (see **Page 5**).

Cut the panel inserts to the following dimensions.

Custom 1/4" Dimensions:

Width: 23-1/32"

Height: 12-15/32"

The door panels must not have a total weight of more than 20 lbs.

Drawer Panel Installation

Install the insert as follows:

⚠ CAUTION

Use care when handling the insert. Insert edges may be sharp.

1. Open drawer. Pull drawer gasket out of groove (top edge of drawer only). Start in the middle and pull outward, moving toward the edge (see **Figure 5**). This may take some force.
2. Remove and save the two outside screws (see **Figure 5**).
3. Remove the original handle and discard.
4. Remove and discard existing panel and cardboard spacer.
5. Slide custom drawer panel insert into 1/4-inch channel in drawer front.
6. Holding drawer gasket out of the way, replace handle on drawer, making sure it is seated properly on insert and that screw holes line up.
7. Install two small screws removed in Step 2.
8. Starting at the corners and working inward, push drawer gasket into place on drawer. Go on to **5 Adjust Drawers**.

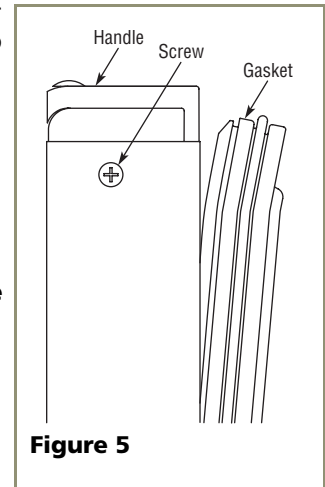


Figure 5

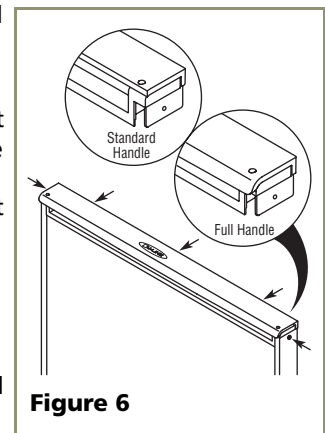


Figure 6

Full Overlay Drawer Panels

Drawer Panel Preparation

Full overlay drawer panels completely cover the drawer fronts and handles to give a built-in appearance. Overlay units are shipped ready for Full Overlay installation.

Note: For standard installations, both drawers mount the same and a 1/2" gap is achieved between drawers.

1. Cut the overlay to the following dimensions.

Full Overlay Dimensions:

Width: 23-3/4"

Height: 14-3/4"

IMPORTANT

The thickness of the wood overlay panel must be 3/4". The door panel must not weigh more than 20 lbs.

Drawer Panel Installation

Removing Existing Drawer Fronts

1. Open drawer. Pull drawer gasket out of groove (top edge of drawer only). Start in the middle and pull outward, moving toward the edge (see **Figure 7**). This may take some force.
2. Remove and save the two screws located at the ends of the handle (see **Figure 8**). Remove the handle.

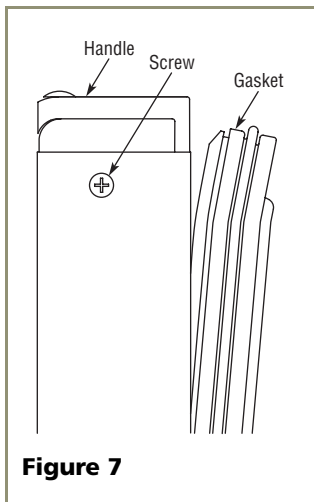


Figure 7

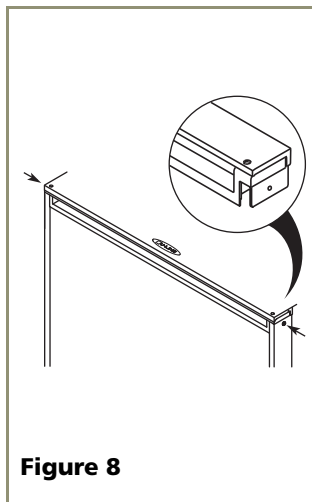


Figure 8

3. Remove existing panel and cardboard spacer. Discard the spacer.

Attaching the Full Overlay Panel

1. If user-supplied cabinet handles will be used, attach their hardware to the overlay panel at this time.

IMPORTANT

User-supplied cabinet handles **MUST** be counter bored to make sure mounting hardware is below surface of overlay panel. Failure to do so can cause damage to overlay panel and/or drawer. Overlay panel will not sit flush to drawer if mounting hardware is not counter bored.

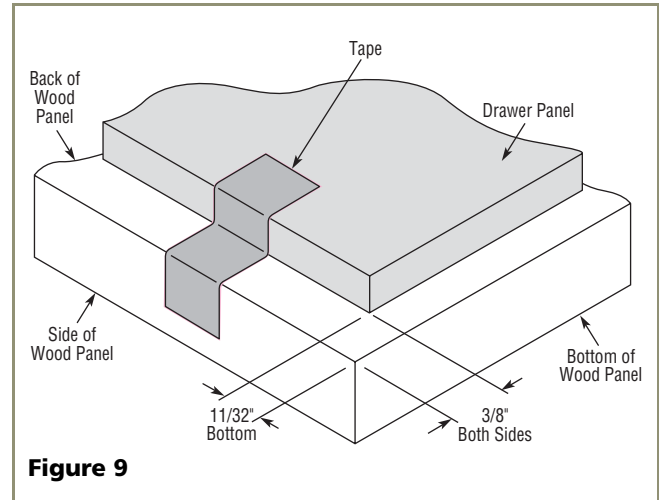


Figure 9

2. Place and tape the existing drawer panel on the back of the overlay panel (see **Figure 9**).
3. Drill the five holes (5/32" drill 3/8" deep) through both panels according to **Figure 10**.

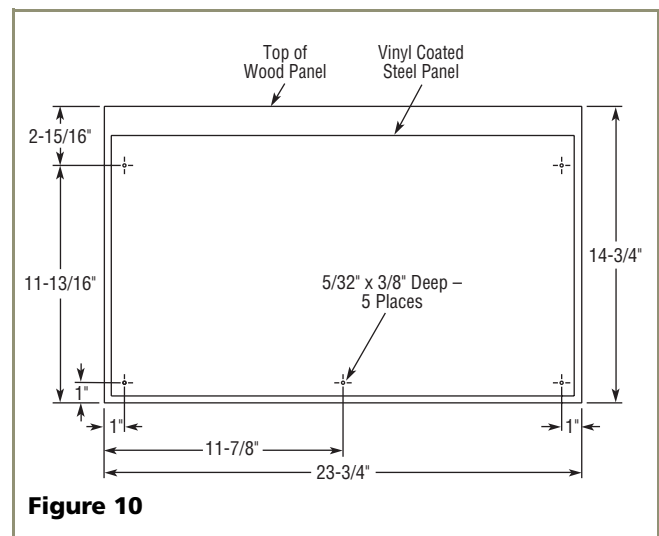
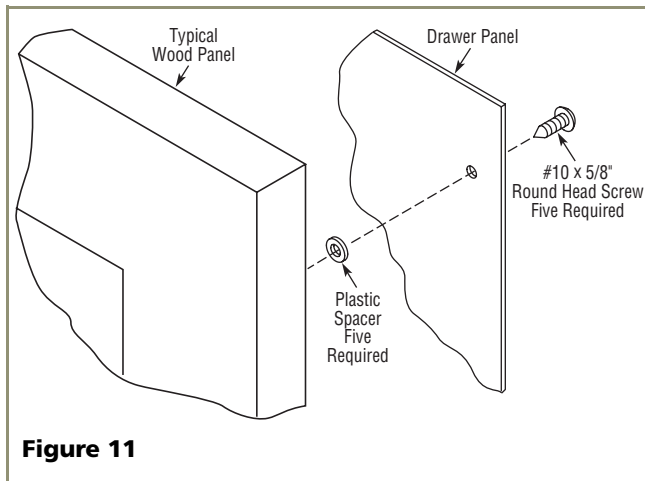


Figure 10

CAUTION

It is important to ensure that all drilled holes are drilled to the correct depth in order to avoid splits in the wood when hardware is installed.

4. Remove tape adjoining the panels and enlarge the five holes in the overlay panel using a 0.201" (#7) drill.
5. Attach the drawer panel to the overlay panel using #10 x 5/8" wood screws and nylon spacers. The nylon spacers fit between the overlay panel and the door panel as shown in **Figure 11**. The spacers allow the original drawer panel to slide back into the 1/4"-thick drawer front reveal (channel).



IMPORTANT

Drawer panel and overlay panel must be aligned properly or the drawer will not operate correctly.

Assembling the Drawer Front

1. Install the assembled panel by sliding the original door panel back into the drawer front.
2. Replace the handle assembly and secure with the two screws removed in Step 2 under *Removing Existing Drawer Fronts*.
3. Starting at the corners and working toward the center, push the drawer gasket back into place. Go on to **5 Adjust Drawers**.

5 Adjust Drawers

Checking Drawer Alignment

The unit's drawers are aligned at the factory before shipment. However, their alignment could have been disturbed during shipment or during overlay panel installation.

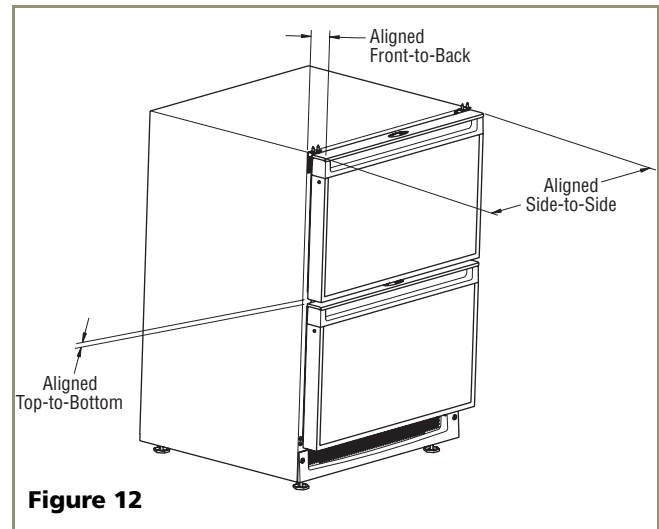


Figure 12

See **Figure 12**. Check each drawer to confirm that it is aligned:

- **Side-to-Side** — When viewed from the top, the drawer front should be square with the sides of the cabinet.
- **Front-to-Back** — When viewed from the side, the drawer front should be straight with the cabinet's sides, not cocked forward or back.
- **Top-to-Bottom** — When viewed from the front, the drawer should be level horizontally.

If both drawers are properly aligned, go on to **6 Prepare Power Supply**. If either drawer is not aligned, carefully follow instructions to remove that drawer, make the necessary adjustment and re-install the drawer.

Adjusting Drawer Alignment

WARNING

SHOCK HAZARD — The unit must be unplugged from the wall outlet during drawer removal, adjustment and re-installation.

Drawer Removal

1. Confirm that the unit is unplugged from wall outlet.
2. Unplug the drawer's connection wiring (top drawer only).
3. Remove the mounting screws. See **Figure 13**.
4. Pull the drawer completely out of the unit.

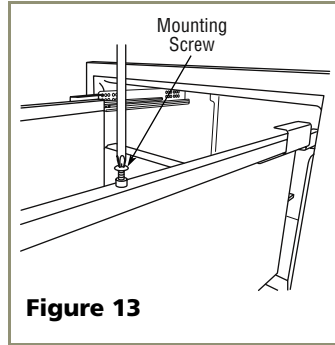


Figure 13

CAUTION

Use care when handling the drawer. Drawer edges, drawer rail and the unit's slide may be sharp.

IMPORTANT

Drawer adjustments are made by moving the slide that carries the drawer's rail. Minor adjustments may be made by loosening one of the slide's mounting screws, adjusting the slide and retightening the screw. Severe adjustments may be made by removing the slides' mounting screws, drilling new mounting holes and remounting the slide.

Side-to-Side Adjustment

See **Figure 14**. The drawer will need a Side-to-Side Adjustment if, when viewed from the top, the drawer front is not square with the sides of the cabinet. This is caused by one of the slides being mounted too far forward on the unit's liner.

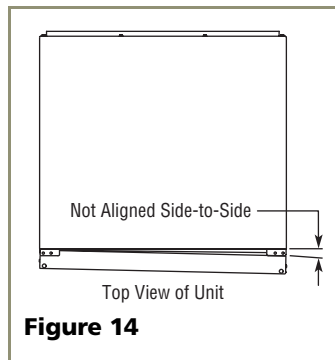


Figure 14

Minor Adjustment:

Note: The mounting holes on the slide are slightly larger than the screws' diameter.

1. Loosen the slide's mounting screws.
2. Push the slide backward.
3. Retighten the screws. See **Figure 15**.

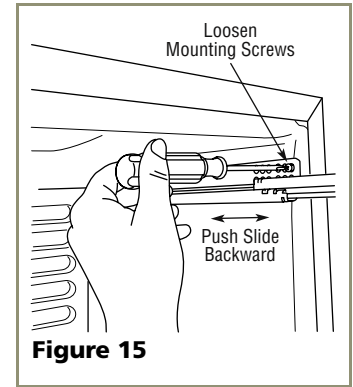


Figure 15

Severe Adjustment:

Note: The slides have extra mounting holes that may be used.

1. Remove the slide's mounting screws.
2. Reposition the slide so it is the same distance from the front of the liner as the other slide. Measure to confirm.
3. Mark new drilling holes using different sets of mounting holes on the slide. See **Figure 16**.

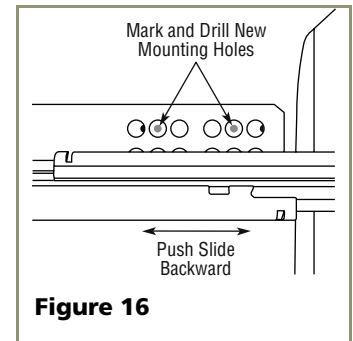


Figure 16

Note: Front location holes are shown. Corresponding rear holes will also need to be marked.

4. Drill all the new holes with a #30 drill bit.
5. Remount the slide.

Front-to-Back Adjustment

See **Figure 17**. The drawer will need a Front-to-Back Adjustment if, when viewed from the side, the drawer front is cocked forward or back. This is caused by the front slide mountings not being level with the rear slide mountings.

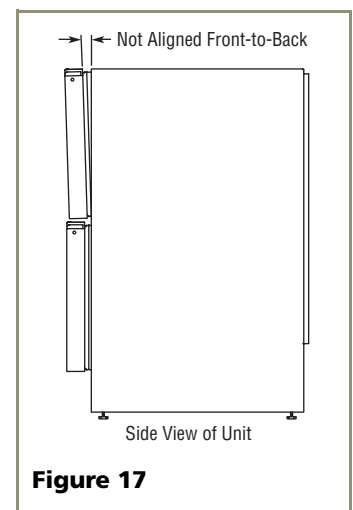


Figure 17

Minor Adjustment:

Note: The mounting holes on the slide are slightly larger than the screws' diameter.

1. Loosen one slide's mounting screws.
2. Level the slide.
3. Retighten the screws. See **Figure 18**.
4. Repeat procedure for the other slide.

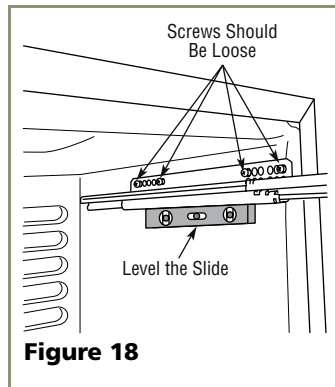


Figure 18

Severe Adjustment:

Note: The slides have extra mounting holes that may be used.

1. Loosen one slide's rear mounting screws.
2. Remove the slide's front mounting screws.
3. Reposition the slide so it is level.
4. Mark new front drilling holes using a different set of mounting holes on the slide. See **Figure 19**.
5. Drill the new holes with a #30 drill bit.
6. Remount the slide.
7. Repeat procedure for the other slide.

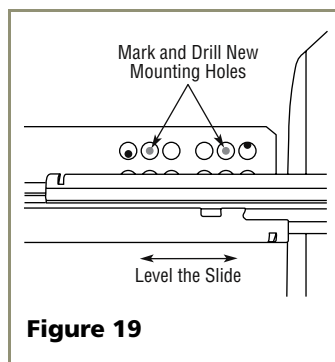


Figure 19

Top-to-Bottom (and Left-to-Right) Adjustment

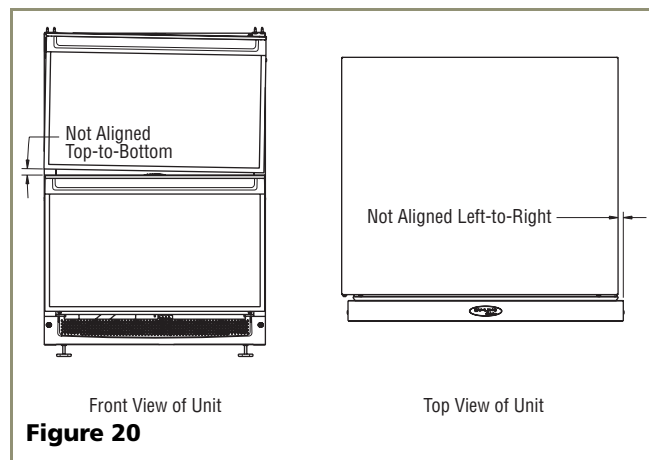


Figure 20

See **Figure 20**. The drawer will need a Top-to-Bottom Adjustment if, when viewed from the front, the drawer is not level horizontally. Viewed from the top, one side will protrude. This is caused by one of the slides being mounted higher than the other slide on the unit's liner.

Minor Adjustment:

Note: The mounting holes on the slide are slightly larger than the screws' diameter.

1. Loosen one slide's mounting screws.
2. Push the slide upward or downward to match the position of the other slide.
3. Retighten the screws. See **Figure 21**.
4. Repeat the procedure with the other slide if necessary.

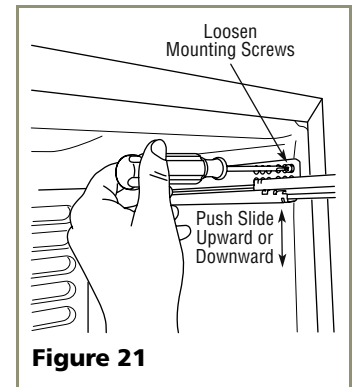


Figure 21

Severe Adjustment:

Note: The slides have extra mounting holes that may be used.

1. Remove one slide's mounting screws.
2. Reposition the slide so it is the same distance from the bottom of the liner as the other slide. Measure to confirm.
3. Mark new drilling holes using different sets of mounting holes on the slide. See **Figure 22**.

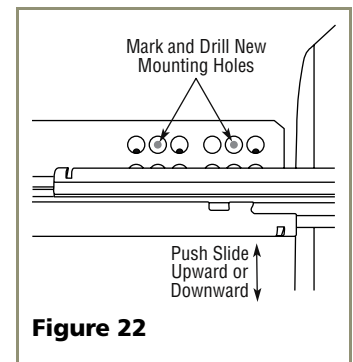


Figure 22

Note: Front location holes are shown. Corresponding rear holes will also need to be marked.

4. Drill all the new holes with a #30 drill bit.
5. Remount the slide.

Re-installation of Drawer

CAUTION

Use care when handling the drawer. Drawer edges, drawer rail and the unit's slide may be sharp.

1. Set the drawer's rails onto the slides.
2. Re-install the rails' mounting screws. See **Figure 13** on **Page 10**.
3. Plug in the drawer's connection wiring (top drawer only).
4. Go on to **6 Prepare Power Supply**.

6 Prepare Power Supply

Electrical Specifications

CAUTION

Electrical installation must observe all state and local codes. This unit requires connection to a grounded (three-prong), polarized receptacle that has been placed by a qualified electrician.

The unit requires a grounded and polarized 115 VAC, 60 Hz, 15A power supply (normal household current). An individual, properly grounded branch circuit or circuit breaker is recommended. GFCI (ground fault circuit interrupter) is usually not required for fixed location appliances and is not recommended for your unit because a GFCI could be prone to nuisance tripping. However, be sure to consult your local codes.

See **Figure 23** for recommended receptacle location.

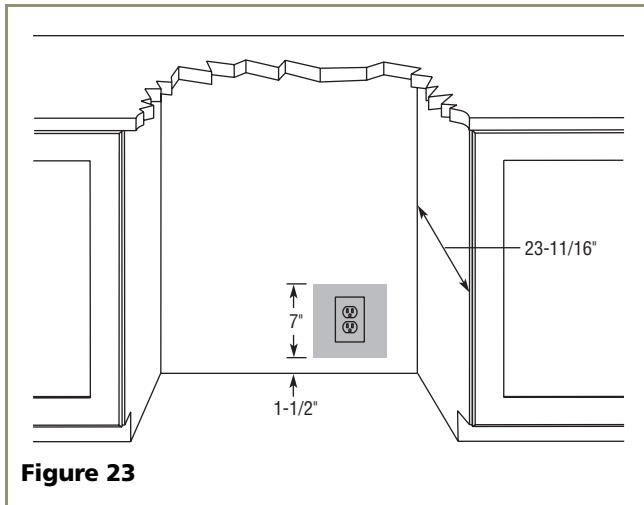


Figure 23

WARNING

SHOCK HAZARD — Electrical Grounding Required.

- **Never remove the round grounding prong from the plug and never use a two-prong grounding adapter.**
- **Never use an extension cord to connect power to the unit.**

Go on to **7 Level the Unit**.

7 Level the Unit

Leveling Information

Note: It is recommended that the unit is level.

1. Use a level to check the levelness of the unit from front to back and from side to side. Level should be placed along top edge and side edge as shown (see **Figure 24**).
2. If the unit is not level, adjust the feet on the corners of the unit as necessary (see **Figure 25**).

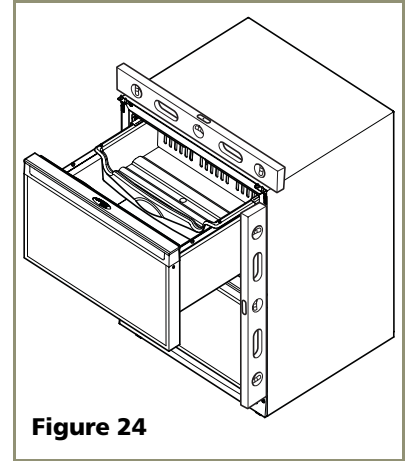


Figure 24

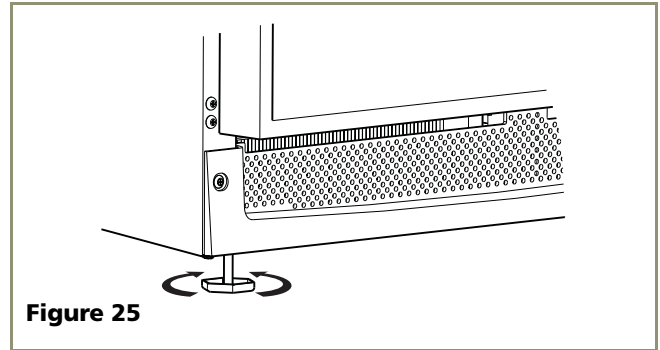


Figure 25

3. Check the levelness after each adjustment and repeat the previous steps until the unit is level. Go on to **8 Install the Unit**.

Installation Tip

If the room floor is higher than the floor in the cut-out opening, adjust the rear feet to achieve a total unit rear height of 1/8" less than the opening's rear height. Shorten the unit height in the front by adjusting the front feet. This allows the unit to be gently tipped into the opening. Readjust the front feet to level the unit after it is correctly positioned in the opening.

8 Install the Unit

Installation of the 2275DWRR

1. Plug in the power cord.
2. Open the top drawer and press the **POWER** icon to turn the unit off. (see **Figure 27,1 page 14**)
3. Gently push the unit into position. Be careful not to entangle the electrical cord.
4. Re-check the leveling, from front to back and side to side. Make any necessary adjustments. The unit's top surface should be approximately 1/8" below the countertop.

Anti-Tip Kit Installation

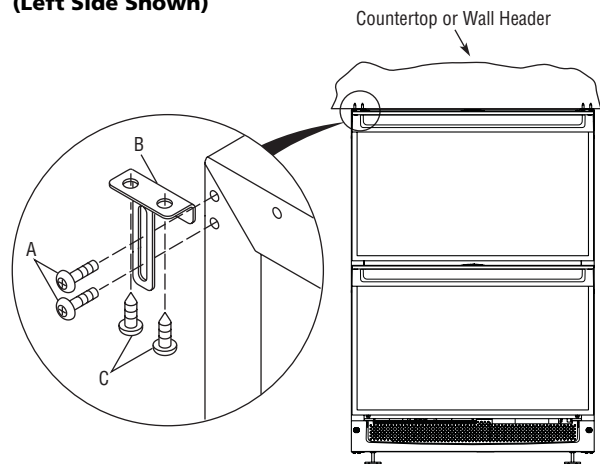
WARNING

- **The Anti-Tip Kit must be installed on this unit before it is used.**
- **Additional blocking or special fasteners may be required for installation. Installer is responsible for secure attachment to prevent the unit from tipping.**
- **Make sure the mounting screws attaching the unit to the counter, cabinet or wall are deep enough into the mounting surface to support the weight of the drawers and the items that will be inside the drawers.**
- **Never use the drawers as steps or as a shelf to support more than the drawers' content. Serious personal injury could occur.**

After leveling, the unit must be secured to a counter, a cabinet or a wall to prevent tipping.

1. Open the upper drawer to expose the six screws (A) installed at the top two corners (three at each corner). Remove the appropriate screws for horizontal or vertical mounting (see **Figure 26**). Do not discard.

Horizontal Mounting (Left Side Shown)



Vertical Mounting (Left Side Shown)

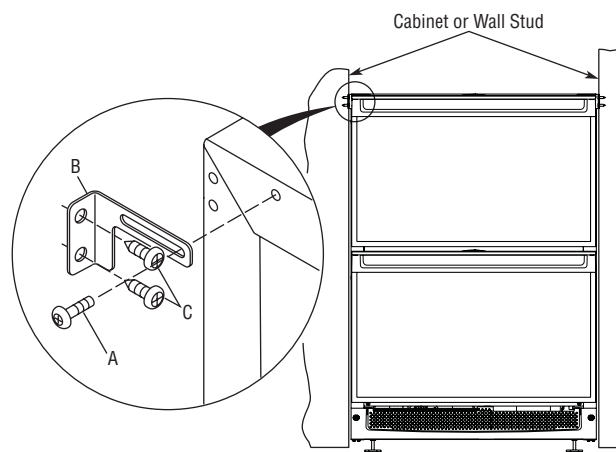


Figure 26

2. Insert the screws through the anti-tip bracket (B) and attach the bracket to the unit. Tighten screws securely.
3. Repeat for the other side.

Note: The bracket should be flush with the surface it is being attached to. If it is not, loosen the screws and slide the bracket against the mounting surface. Tighten screws securely.

- Using two of the screws (C) supplied, fasten the screws through the bracket and into the counter, cabinet or wall.

IMPORTANT

Certain cabinets or countertops may require special fasteners or additional wood blocking to anchor properly.

CAUTION

Make sure the screws are back far enough so they do not damage any exposed front surface of the cabinet.

Installation Troubleshooting

Q: Problem

The drawer remains open unless it is pushed closed.

A: Solution

The drawer should be self-closing when it is open approximately 8". If it is not, re-check leveling from front to back of the unit and readjust if necessary.

9 Start-Up for the First Time

Initial Start-Up

Once installation and leveling is complete, the unit is ready for initial start-up and operation. Open the top drawer press and hold the **POWER** icon (see **Figure 27,1**) on the display panel for approximately ten seconds until the °F symbol flashes and release.

All U-line units are shipped from the factory with controls that are preset. No initial adjustments are required.

IMPORTANT

U-Line recommends that the unit be allowed to run overnight prior to loading the refrigerator with product.

Electronic Control Panel

The electronic control with digital display (**Figure 27**) is configured to show a single temperature continuously. This set-point temperature is a base number used by the controller to maintain the temperature zone in your unit. The factory default set-point is 38°F. This set-point temperature is used as a gauge if further temperature adjustments are required.

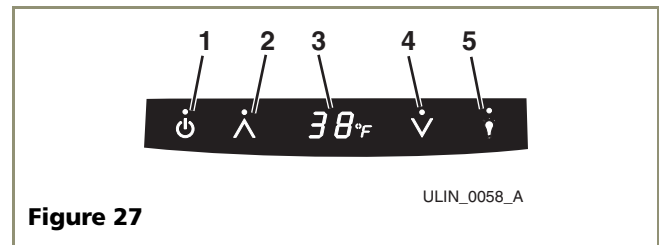


Figure 27

For further information about the electronic control, see the Use and Care Guide.

Start-Up Troubleshooting

Q: Problem

Unit does not appear to turn on **POWER** icon is pressed.

A: Solution

Make sure unit is plugged in and outlet has power (circuit breaker has not tripped).

IMPORTANT

See the Use and Care Guide's *Troubleshooting Guide* for more solutions.

Who to Call

Service Information

If the need for service arises, call the U-Line Customer Care Center directly @ **800-779-2547**. To ensure accurate assistance, please have your Model Number and Serial Number and an explanation of the problem. The Model and Serial Number plate is located inside unit at upper right hand corner.

If you need to locate a service company, you can go online at **www.U-LineService.com** and search for a service company by zip code.

For more than four decades, U-Line has distinguished itself as the leader in built-in undercounter ice making, refrigeration and wine storage appliances.

U-Line Corporation, located in Milwaukee, WI, is a family operated manufacturer of built-in undercounter icemakers, Combo® icemaker/refrigerators, Wine Captain® wine storage units, refrigerators, refrigerated drawers and refrigerator/freezers.