

**3024R • 24" Solid Door Refrigerator • Modular 3000 Series**

**FEATURES & BENEFITS**



STAINLESS SOLID



INTEGRATED SOLID

<b>PERFORMANCE</b>	<ul style="list-style-type: none"> <li>• Volume of 4.9 cu ft holds up to 100 bottles (12 oz) or 141 cans (12 oz)</li> <li>• Temperature range: 34°F -70°F</li> <li>• Convection cooling system rapidly and efficiently takes items to the set temperature</li> <li>• U-Select® Control offers five distinct modes: Beverage: 34°F - 65°F, Deli: 34°F - 40°F, Market: 34°F - 40°F, Pantry: 34°F - 70°F, Root Cellar: 45°F - 55°F</li> <li>• U-Select® Control with digital OLED display is ergonomically located on top of door</li> <li>• Maintains temperature to within 1°F of the set point to maximize preservation</li> </ul>
<b>INTERIOR/EXTERIOR</b>	<ul style="list-style-type: none"> <li>• Black interior is illuminated with LED theater lighting</li> <li>• Three full-extension, slide-out drawers are removable for easy cleaning</li> <li>• The middle bin has two possible positions and comes with a removable glass shelf to keep products stable</li> <li>• The lower bin is large enough to fit 2 one-gallon containers with additional space for more storage</li> <li>• Standard commercial stainless steel handle is interchangeable with professional handle accessory</li> <li>• Must be ordered right-hand or left-hand hinged</li> </ul>
<b>INTEGRATION</b>	<ul style="list-style-type: none"> <li>• Robust, concealed and covered hinges with built-in door stop and closer</li> <li>• Adjustable grille can be shifted front-to-back and up-and-down</li> <li>• Integrated model requires ¾" custom door panel</li> <li>• Grille can accept an overlay toe-kick</li> <li>• Four independently adjustable leveling legs; rear legs are adjustable from the front for ease of installation</li> </ul>

**MODEL DETAILS**

Model	Voltage	Door Swing	Finish	Shipping Weight
U-3024RS-00A	115	Right-Hand Hinge	Stainless Solid	146 lbs
U-3024RS-01A	115	Left-Hand Hinge	Stainless Solid	146 lbs
U-3024RINT-00A	115	Right-Hand Hinge	Integrated Solid	138 lbs
U-3024RINT-01A	115	Left-Hand Hinge	Integrated Solid	138 lbs

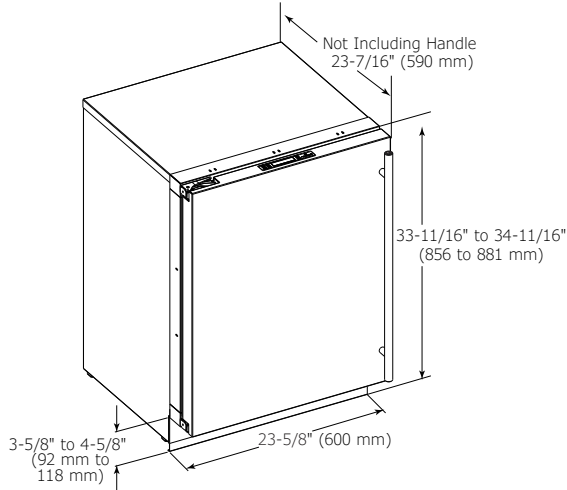
**ACCESSORIES**

Model	Description	Finish	Shipping Weight
23074	Professional Door Handle, 1 ¼" Diameter	Stainless	2 lbs
23073	Commercial Door Handle, 7/8" Diameter	Stainless	2 lbs
80-33027-01	3k 24" Slide and Divide Bin Organizer	na	3 lbs

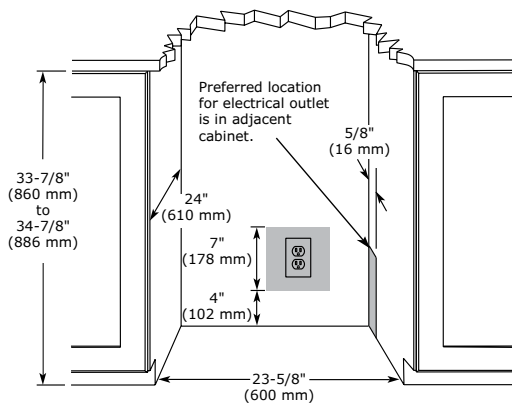
Modular 3000 Series • 24" Solid Door Refrigerator • 3024R

**DIMENSIONS**

Dimensions shown apply to all finishes, including Integrated (INT) models with 3/4" overlay panel/frame installed.



**CABINET CUT-OUT**



**INSTALLATION NOTES**

When installing adjacent to wall, ensure 2 1/2" clearance on hinged side for 90° door opening, allowing ample room for door handle.

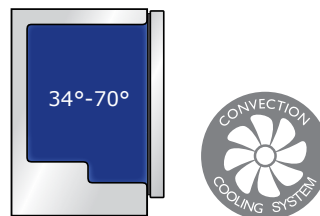
No additional clearance around sides, top or rear of unit is needed for ventilation.

Do not obstruct front grille air flow.

**SPECIFICATIONS**

Model	3024R
Amps: Running	1.2
Capacity: Bottle (12 oz)	100
Capacity: Can (12 oz)	141
Capacity: Volume (cu ft)	4.9
Control Type	U-Select®
Dimensions: Product Depth	23 7/16" / 590 mm
Dimensions: Product Height	33 11/16" / 856 mm
Dimensions: Product Width	23 5/8" / 600 mm
Energy Consumption: Avg. Per Year	240 kWh
ENERGY STAR	ENERGY STAR
Product Weight: Max	136 lbs
Refrigerant Type	R600a
Sabbath (Star K Certified)	Yes
Temperature Range	34°F - 70°F

**COOLING SYSTEM**



**ELECTRICAL REQUIREMENTS**

This unit requires a grounded a polarized 115 VAC, 60 Hz, 15 A power supply (normal household current).



Residential

Please visit [u-line.com](http://u-line.com) to view this model's User Guide. All specifications are subject to change without notice.