

Model: **HK38BSC-L-3**

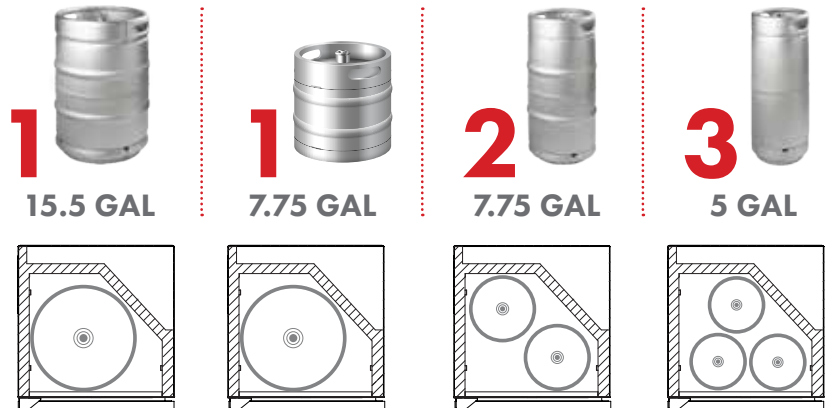


## KEGCO 24" WIDE TRIPLE TAP BLACK BUILT-IN COMMERCIAL LEFT HINGE KEGERATOR WITH KIT

### FEATURES

- BUILT-IN OR FREESTANDING USE
- POWERFUL COOLING TECHNOLOGY
- DIGITAL TEMPERATURE CONTROL
- AIR COOLED TOWER PREVENTS FOAM
- LARGE STAINLESS STEEL INTERIOR
- LOCKING STAINLESS STEEL DOOR
- CONVERTS TO A REFRIGERATOR

### CAPACITY OPTIONS



### INCLUDES PREMIUM DIRECT DRAW KIT

- 5 lb. aluminum CO<sub>2</sub> tank
- Commercial grade double gauge CO<sub>2</sub> regulator with air distributor
- Three brewery grade D system lever handle keg couplers
- 14.5" tall, 3" diameter polished stainless steel draft tower
- Three Perlick 630SS faucets
- Hoses and fittings



CO<sub>2</sub> TANK



DRAFT TOWER



CO<sub>2</sub> REGULATOR

AIR DISTRIBUTOR

KEG COUPLERS



 **(800) 710 9939**

support@beveragefactory.com  
www.beveragefactory.com

#### OUR SHOWROOM

8510 Miralani Drive  
San Diego, CA 92126

Mon-Fri, 7:00am - 4:00pm



Model: **HK38BSC-L-3**

# KEGCO 24" WIDE TRIPLE TAP BLACK COMMERCIAL BUILT-IN LEFT HINGE KEGERATOR WITH KIT

DIMENSIONS	
Height	34-1/8"
Width	24"
Depth (without handle)	25"
Depth (with handle)	26.5"
Shipping Dimensions	30"x30"x43"

WEIGHT	
Unit Weight	115 lbs.
Shipping Weight	150 lbs.

KEG STORAGE CAPACITIES	
Full Size / 1/2-Barrel	Holds 1
Pony Size / 1/4-Barrel	Holds 1
1/4-Barrel Slim	Holds 2
1/6-Barrel	Holds 3
5 gal. Ball/Pin Lock Keg	Holds 3
5-Liter / Mini Keg	Holds 3

KEY FEATURES	
Built-in Capable	Yes
Keg Coupler	Yes
Security Lock	Yes
Regulator	Yes
CO <sub>2</sub> Tank	Yes
Outdoor Use	No
Commercial Use	Yes

ELECTRICAL	
Electrical Requirements	115v/60hz
Running Amps	1.7 A

CERTIFICATIONS	
ETL Listed	Yes
ETL Sanitation Listed	Yes

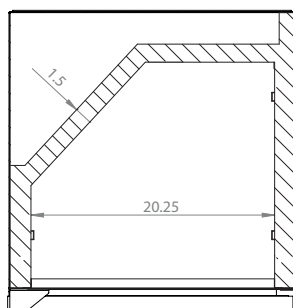
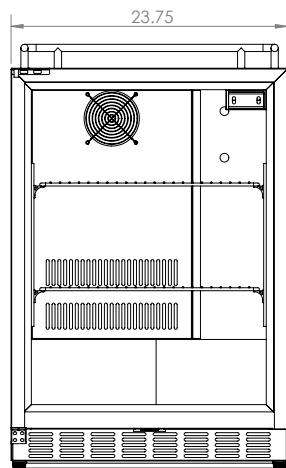
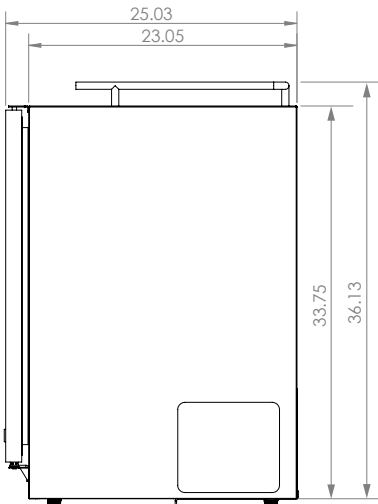
WARRANTY	
Labor	1 Year
Parts	1 Year
Compressor (Parts Only)	5 Years

EXTERIOR	
Cabinet	Black
Drip Tray	Yes
Guard Rail	Yes
Casters	Yes

DOOR	
Color / Material	Stainless Steel
Number of Doors	1
Door Handle	Towel/Curved
Field Reversible	No
Accepts Custom Overlay Panel	No

DRAFT BEER TOWER	
Number of Faucets	3
Material	Stainless Steel
Height	14"
Diameter	3"

COOLING SYSTEM	
Type	Compressor
Defrost System	Manual
Front Ventilation	Yes



**(800) 710 9939**

support@beveragefactory.com  
www.beveragefactory.com

### OUR SHOWROOM

8510 Miralani Drive  
San Diego, CA 92126

Mon-Fri, 7:00am - 4:00pm