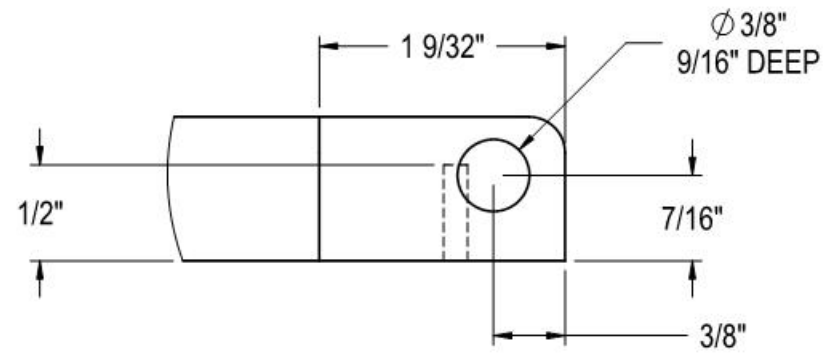
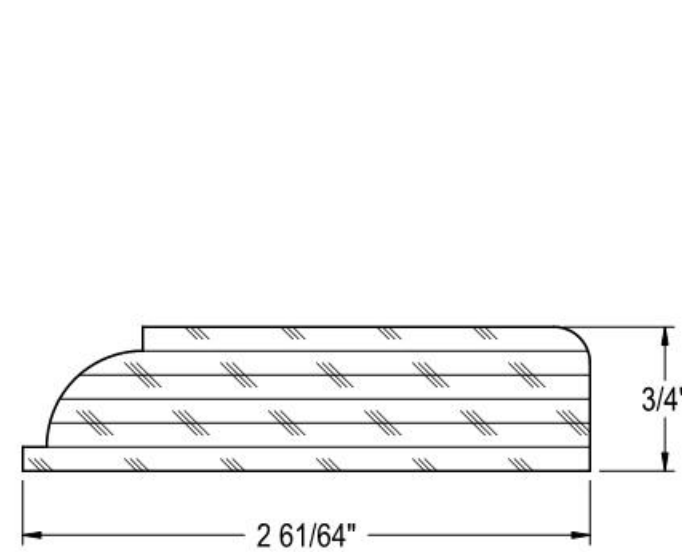


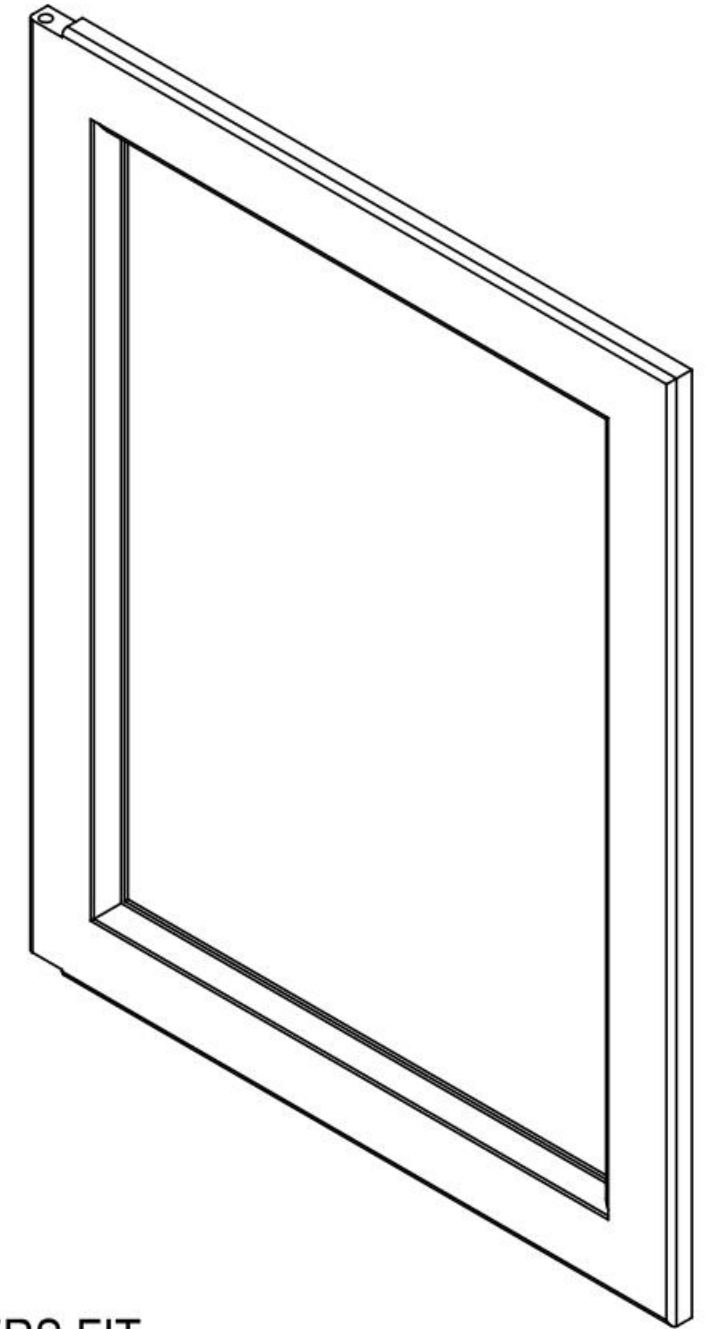
BACK VIEW



DETAIL A  
SCALE 1 : 1



SECTION B-B  
SCALE 1 : 1



NOTE: THESE PART NUMBERS FIT  
DOORS OR DRAWERS ON HP & HC CABINETS  
WITH SERIAL NUMBER 664985 OR GREATER.

REVISIONS	

<small>UNLESS OTHERWISE SPECIFIED: DIMENSIONS ARE IN INCHES TOLERANCES: X = ±.1 XX = ±.03 XXX = ±.015 ANGULAR: ±1.5°, FRACTIONS: ±1/64 BREAK SHARP EDGES - .015 X 45° RADIUS SHARP FILLETS - .015 TO .031</small>	<b>SIGNATURES</b>	<b>DATE</b>	<b>Perlick Corporation</b> <b>Milwaukee, Wisconsin</b>		
	DESIGNED KS	11/5/2009			<b>TITLE:</b>
	DRAWN DAS	11/5/2009	WOOD OVERLAY, GLASS DOOR HP & HC DOORS		
	CHECKED		<b>REFERENCE:</b>	<b>PART NO.</b>	<b>DWG NO.</b>
<b>MATERIAL:</b> WOOD	<b>QTY.:</b>	<b>FINISH:</b> CUSTOM	68135-3	<b>68135</b>	
<small>THIS DOCUMENT / PUBLICATION / SOFTWARE / DRAWING CONTAINS PROPRIETARY INFORMATION WHICH IS THE PROPERTY OF THE PERLICK CORPORATION. IT MAY NOT BE REPRODUCED OR TRANSMITTED IN ANY FORM, ELECTRONIC OR MECHANICAL, INCLUDING PHOTOCOPYING, RECORDING, OR USED IN ANY INFORMATION STORAGE, TRANSMISSION, OR RETRIEVAL SYSTEM, WITHOUT WRITTEN PERMISSION FROM THE PERLICK CORPORATION. COPYRIGHT 2001 PERLICK CORPORATION. ALL RIGHTS RESERVED.</small>			<b>PURCHASE REC.:</b>	<b>SCALE =</b> 1:5	<b>SHEET 3 OF 6</b>