

Model: **HK-46-BIB**



KEGCO 17" WIDE READY TO DRINK COFFEE DISPENSER

FEATURES

- DESIGNED FOR BAG-IN-A-BOX COLD BREW COFFEE
- SLEEK & COMPACT
- VERSATILE DESIGN
- COMMERCIAL-GRADE KEGERATOR
- POWERFUL MOTOR

INCLUDES PREMIUM DIRECT DRAW KIT

- Specifically designed to dispense Bag-In-A-Box Cold Brew Coffee
- Sleek and compact design allows it to sit perfectly on a counter top or in small spaces
- The compact cabinet can hold up to one 3 gallon Bag-In-A-Box.
- Unique motor creates nitro dispense without the need for a nitrogen tank, adding body and richness to this gourmet coffee
- Food-grade and high-quality, the dispense equipment included premium parts backed by years of industry experience and exceptional customer service.
- Dimensions: 19.75" H x 17" W x 18" D

Cubic Footage **1.34 FT³**

Weight **34 LBS**

Cups of Coffee **21** (8 oz. servings)

Temperature Range **32°F to 50°F**

Refrigerant **600A**



 **(800) 710 9939**

support@beveragefactory.com
www.beveragefactory.com

OUR SHOWROOM

8520 Miralani Drive
San Diego, CA 92126

Mon-Fri, 7:00am - 4:00pm



Model: **HK-46-BIB**

KEGCO 17" WIDE READY TO DRINK COFFEE DISPENSER

SPECIFICATIONS

Height	19.75"
Width	17"
Depth	18"
Cubic Footage	1.34 Cubic Feet
Weight	34 lbs.

KEY FEATURES

Refrigerant	600a
Temperature Range	32°F to 50°F

EXTERIOR

Flowjet Pump	Yes
Faucet	Standard
Shank	Yes

WARRANTY

Labor	1 Year
Parts	1 Year
Compressor	5 Years

ELECTRICAL

Voltage / Frequency	110V/60Hz
Running Amps	1.3A
Wattage	143 watts

CERTIFICATIONS

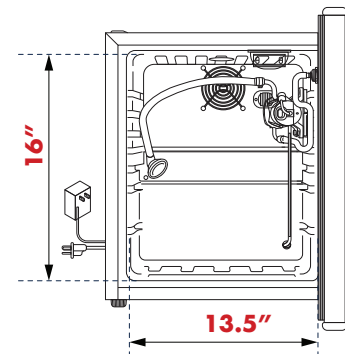
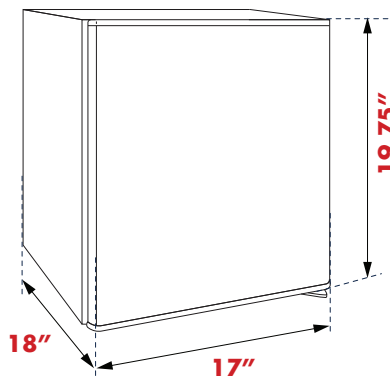
ETL Listed	Yes
ETL Sanitation Listed	Yes



FRONT



SIDE



- Inner Dimensions:
16" H x 13.5" W x 12" D
(7.75"D without shelf)



 **(800) 710 9939**

support@beveragefactory.com
www.beveragefactory.com

OUR SHOWROOM

8520 Miralani Drive
San Diego, CA 92126

Mon-Fri, 7:00am - 4:00pm

