

Model: **HK38SSC-3**

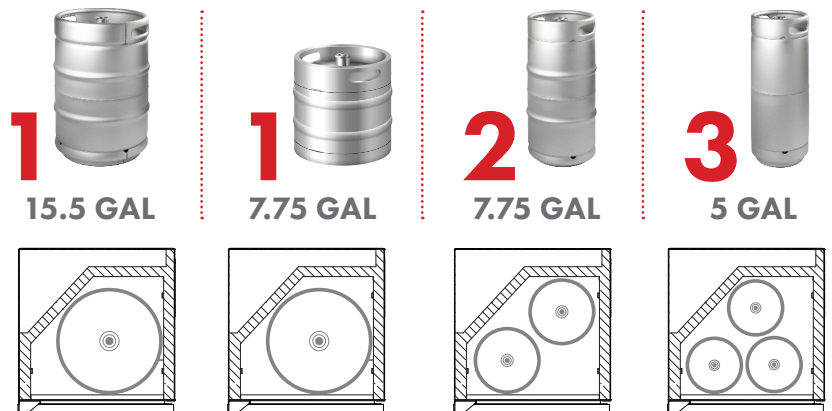


KEGCO 24" WIDE OUTDOOR TRIPLE TAP ALL STAINLESS STEEL COMMERCIAL RIGHT HINGE KEGERATOR WITH KIT

FEATURES

- BUILT-IN OR FREESTANDING USE
- POWERFUL COOLING TECHNOLOGY
- DIGITAL TEMPERATURE CONTROL
- AIR COOLED TOWER PREVENTS FOAM
- LARGE STAINLESS STEEL INTERIOR
- LOCKING STAINLESS STEEL DOOR
- CONVERTS TO A REFRIGERATOR

CAPACITY OPTIONS



INCLUDES BREWERY GRADE DISPENSE KIT

- 5 lb. aluminum CO₂ tank
- Commercial grade double gauge CO₂ regulator with air distributor
- 3 brewery grade D system lever handle keg couplers
- 14.5" tall, 3" diameter polished stainless steel draft tower
- 3 Perlick 630SS faucets
- Hoses and fittings



CO₂ TANK



DRAFT TOWER




CO₂ REGULATOR

AIR DISTRIBUTOR

KEG COUPLERS



 (888) 980-4810

 support@kegco.com

 www.kegco.com

OUR SHOWROOM

8520 Miralani Drive
San Diego, CA 92126

Monday - Friday,
7:00am - 4:00pm

Model: **HK38SSC-3**

KEGCO 24" WIDE OUTDOOR TRIPLE TAP ALL STAINLESS STEEL COMMERCIAL RIGHT HINGE KEGERATOR WITH KIT

DIMENSIONS	
Height (without casters)	34-1/8"
Height (with casters)	37"
Width	24"
Depth (without handle)	25"
Depth (with handle)	26.5"
Shipping Dimensions	30"x30"x43"

WEIGHT	
Unit Weight	115 lbs.
Shipping Weight	150 lbs.

KEG STORAGE CAPACITIES	
Full Size / 1/2-Barrel	Holds 1
Pony Size / 1/4-Barrel	Holds 1
1/4-Barrel Slim	Holds 2
1/6-Barrel	Holds 3
5 gal. Ball/Pin Lock Keg	Holds 3
5-Liter / Mini Keg	Holds 3

KEY FEATURES	
Built-in Capable	Yes
Keg Coupler	Yes
Security Lock	Yes
Regulator	Yes
CO ₂ Tank	Yes
Outdoor Use	Yes
Commercial Use	Yes

ELECTRICAL	
Electrical Requirements	115v/60hz
Running Amps	1.7 A

CERTIFICATIONS	
ETL Listed	Yes
ETL Sanitation Listed	Yes

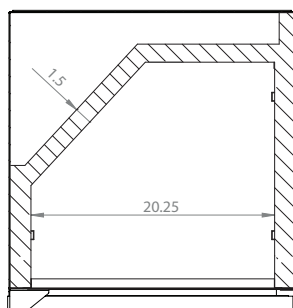
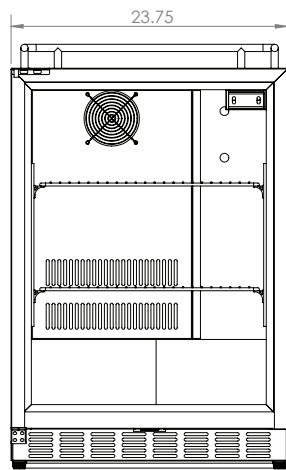
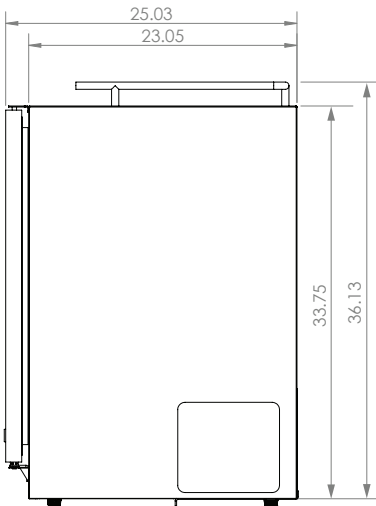
WARRANTY	
Labor	1 Year
Parts	1 Year
Compressor (Parts Only)	5 Years

EXTERIOR	
Cabinet	Stainless Steel
Drip Tray	Yes
Guard Rail	Yes
Casters	Yes

DOOR	
Color / Material	Stainless Steel
Number of Doors	1
Door Handle	Towel/Curved
Field Reversible	No
Accepts Custom Overlay Panel	No

DRAFT BEER TOWER	
Number of Faucets	3
Material	Stainless Steel
Height	14"
Diameter	3"

COOLING SYSTEM	
Type	Compressor
Defrost System	Manual
Front Ventilation	Yes



☎ (888) 980-4810
 ✉ support@kegco.com
 🌐 www.kegco.com

OUR SHOWROOM

8520 Miralani Drive
 San Diego, CA 92126

Monday - Friday,
 7:00am - 4:00pm