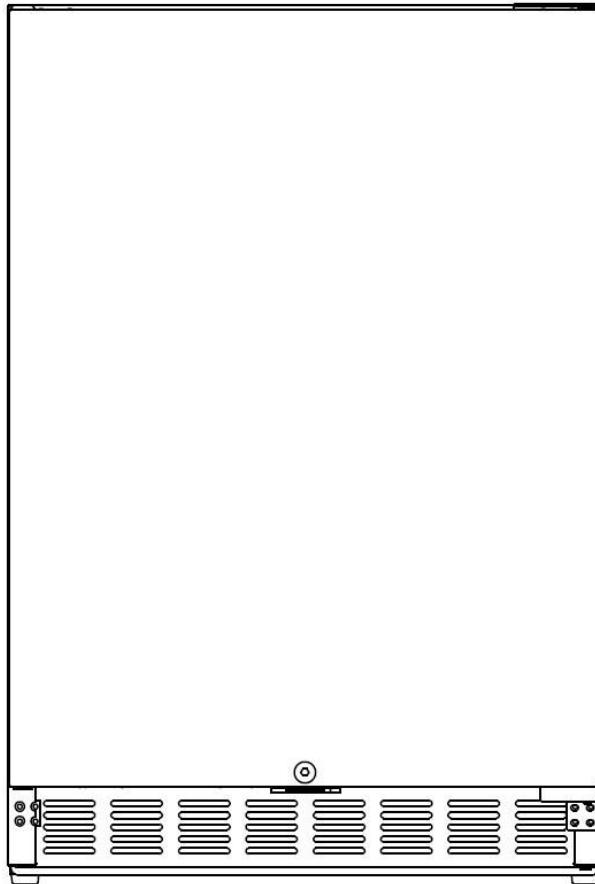




Kegco

INSTRUCTION MANUAL HK-48ADA BUILT-IN REFRIGERATOR



BEFORE USE, PLEASE READ AND FOLLOW ALL SAFETY RULES AND OPERATING INSTRUCTIONS.

Kegco has a policy of continuous improvement on its products and reserves the right to change materials and specifications without notice

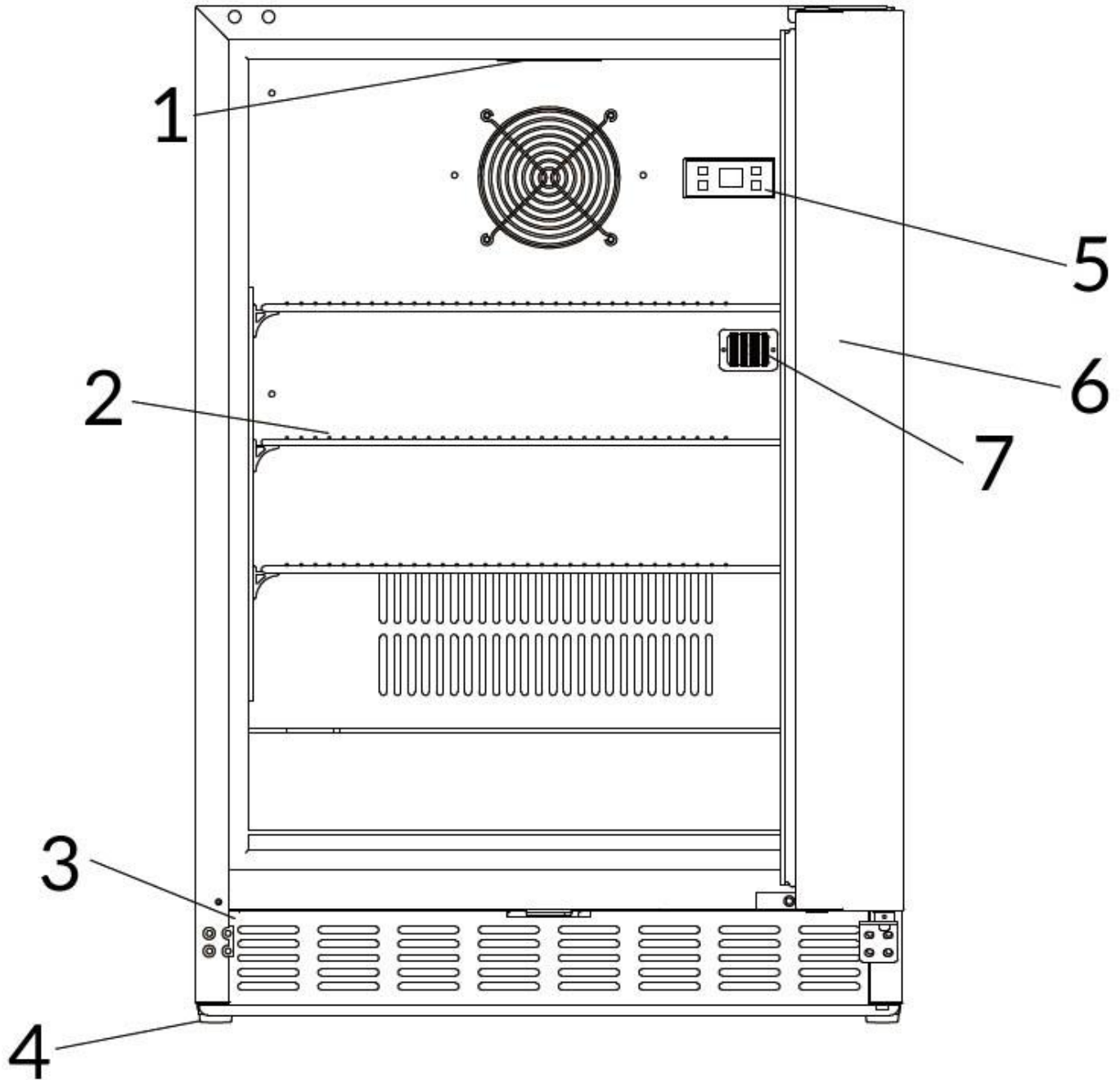
KEGCO

8520 Miralani Dr., San Diego, CA 92126

Table of Contents

Diagram & Description	3
Safety Tips	4
Installation Instructions	5
Care and Maintenance	5
Energy Saving Tips	5
Operation Instructions	6
Troubleshooting	7
Technical Specifications	8-10
Energy Guide	11
Warranty Information	12

Diagram and Description



- | | |
|--------------------|--------------------------|
| 1. LED Light | 5. Digital Control Panel |
| 2. Shelves (3) | 6. Door |
| 3. Bottom Grill | 7. Temperature Probe |
| 4. Adjustable Legs | |

Safety Tips

Before using this appliance, it must be properly positioned and installed as described in this manual, so please read the manual carefully. To reduce the risk of fire, electrical shock or injury when using the appliance, follow these basic precautions. Failure to heed these safety requirements may result in severe personal injury or death.

DANGER

- Plug into a grounded 3-prong outlet. Do not under any circumstances cut or remove the third ground prong from the power cord supplied, do not use an adapter, and do not use an extension cord.
- It is recommended that a separate circuit, serving only your appliance be used. Do not use outlets that can be turned off by a switch or pull chain.
- Never clean appliance parts with flammable fluids and do not store or use gasoline or other flammable vapors and liquids in the vicinity of this or any other appliance. The fumes can create a fire hazard or explosion.
- Unplug the appliance or disconnect power before cleaning or servicing to prevent electrical shock or death.
- Do not attempt to repair or replace any part of your appliance unless it is specifically recommended in this manual. All other servicing should be referred to a qualified technician.

WARNING

- Use two or more people to move and install appliance. Failure to do so can result in back or other injury.
- To ensure proper ventilation for your appliance, the front of the unit must be completely unobstructed. Choose a well-ventilated area with temperatures above 50°F (10°C) and below 109.4°F (43°C). Do not install in a location where the unit will be exposed to direct sun exposure as this may result in unsatisfactory performance.
- The appliance should not be located next to ovens, grills or other high heat sources or in areas of extreme cold.
- The appliance must be installed in accordance with state and local codes. A standard electrical supply (115 V AC only, 60 Hz), properly grounded in accordance with the National Electrical Code and local ordinances is required.
- Do not kink or pinch the power supply cord of appliance.
- The fuse (or circuit breaker) size should be 15 amperes.
- It is important for the appliance to be leveled in order to work properly.
- Never allow children to operate, play with or crawl inside the appliance. Child entrapment and suffocation are not just problems of the past, junked or abandoned appliances are still dangerous. When no longer using your old appliance, take off the door and leave the shelves in place so that children may not climb inside easily.
- Do not use solvent-based cleansers or abrasives on the interior as they may damage or discolor the interior.
- Because of potential safety hazards under certain conditions, it is strongly recommended that you do not use an extension cord with this appliance. However, if you must use an extension cord, it is absolutely necessary that it be a UL/CUL-Listed, 3-wire grounding type appliance extension cord having a grounding type plug and outlet and that the electrical rating of the cord be 115 volts and at least 10 amperes.
- If the appliance is going to be used in an area that is prone to power surges/outages, it is suggested that you use a power surge protector. The surge protector that you select must have a surge block high enough to protect the appliance it is connected to. Damages due to power surges are not considered a manufacturer covered defect and will void your product warranty.
- The cord should be secured behind the appliance and not left exposed or dangling to prevent accidental injury. Never unplug the appliance by pulling the power cord. Always grip the plug firmly and pull straight out from the receptacle. Repair or replace immediately all power cords that have become frayed or otherwise damaged. Do not use a cord with cracks or abrasion damage along its length or at either end. When moving the appliance, be careful not to damage the power cord.
- Do not use this apparatus for other than its intended purpose.
- **California Proposition 65 Warning:** This product can expose you to hexavalent chromium, also known as chromium 6 (Cr6), which is known to the state of California to cause cancer, birth defects, and other reproductive harm. For more information go to: www.P65Warnings.ca.gov.

Failure to heed these safety warnings may result in extensive product damage, serious personal injury, or death.

Installation Instructions

BEFORE USE:

- Remove the all packaging, but do not remove any foam insulation surrounding the pipes at the back.
- Before connecting the unit to the power source, let it stand upright for approximately 24 hours. This will reduce the possibility of a malfunction in the cooling system from handling during transportation.
- Clean the interior surface with lukewarm water using a soft cloth.
- Place the unit on a flat, solid floor that is strong enough to support it when it is fully loaded. To level the appliance, adjust the rolling casters at the bottom of the unit.
- When moving your refrigerator, please do not incline it more than 45 degrees.
- Locate the appliance away from direct sunlight and sources of heat (stove, heater, radiator, etc.). Direct sunlight may affect the acrylic coating and heat sources may increase electrical consumption.
- The refrigerator should be placed in an area where the ambient temperature is less than 100 degrees Fahrenheit and higher than the lowest temperature you want to store items at. If the ambient temperature is lower than the set temperature, the internal temperature will match the ambient temperature.
- Avoid locating the unit in damp areas.
- Unwind the power cord to its full length and inspect for damage before plugging into the outlet.
- Plug the refrigerator into an exclusive, properly installed and grounded wall outlet. Do not under any circumstances cut or remove the third (ground) prong from the power cord. Any questions concerning power and/or electrical grounding should be directed to a certified electrician or authorized products service center.
- After plugging the appliance into a wall outlet, allow the unit to cool down for 3 to 4 hours before placing items in the appliance.

Care and Maintenance

Cleaning your refrigerator:

- Turn off the power, unplug the appliance, and remove all items.
- Wash the inside surfaces with warm water and baking soda solution. The solution should be about 2 tablespoons of baking soda to a quart of water.
- Wring excess water out of the sponge or cloth when cleaning area of the controls, or any electrical parts.
- Wash the outside cabinet with warm water and mild liquid detergent. Rinse and wipe dry with a clean soft cloth.
- Do not use steel wool or a steel brush on the stainless steel. These will contaminate the stainless steel with steel particles and rusting may occur.
- Dust the front grill and back of the unit twice yearly. Make sure the power is off before cleaning.
- It is recommended to clean the unit completely inside and out yearly to maximize the longevity of the product.

Moving your refrigerator:

- For transportation, remove any items you may have inside the unit.
- Securely tape down all loose items inside your appliance and tape the door shut.
- Be sure the appliance stays secure in the upright position during transportation.
- Protect the outside of the appliance with a blanket or similar item.

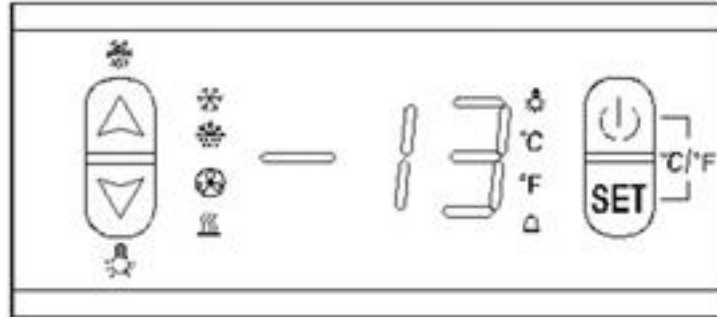
Energy Saving Tips

- Place the unit in the coolest area of the room, away from heat-producing appliances and out of direct sunlight
- Let heated items and beverages cool to room temperature before placing them into the appliance
- Do not overload the refrigerator as it forces the compressor to run longer
- Wrap items properly and wipe containers dry before placing them in the unit to cut down on frost build-up
- Do not line shelves with aluminum foil, wax paper, or paper towels, as liners can interfere with cold air circulation, reducing cooling efficiency
- Position items so that air can circulate freely around them
- Do not leave door open for longer than required
- Make sure items do not touch the back of the storage compartment
- Do not set the thermostat to exceedingly cold temperatures


Operation Instructions


The Kegco refrigerator is able to maintain proper temperature provided it is installed correctly in the proper environment. Avoid opening and closing the door of the refrigerator too often to ensure a consistent temperature inside the unit.

The refrigerator should be placed in an area where the ambient temperature range is between 50-109.4 degrees Fahrenheit (10-43 degrees Celsius). If the ambient temperature is above or below this range, the performance of the unit may be affected. For example, placing your unit in extreme cold or hot conditions may cause interior temperatures to fluctuate. Please be aware that the desired temperatures may fluctuate depending on the ambient temperature and the orientation of the items inside.






Your Kegco refrigerator includes an operating panel on the front of the unit. The operating panel includes several features to operate and control the temperature of the refrigerator, including:

To turn the appliance ON or OFF, press and hold the POWER key  for 5 seconds

Press  to view the set temperature; if no other operations are performed for 6 seconds, the display will return to displaying the actual temperature in the cooler

Press the SET  key first and then the UP  or DOWN  button to increase (warm) or decrease (cool) the set temperature by 1 degree increments

Press  and  and hold for 6 seconds to change the display from Fahrenheit to Celsius or Celsius to Fahrenheit

Press  to manually turn the interior light on or off

DEFROSTING:

The unit defrosts automatically in normal operating conditions. The evaporator behind the rear wall of the unit defrosts, and the condensate collects in the drainage channel behind the rear wall of unit and flows through the drainage hole in the drip tray by the compressor where it evaporates.

However, frost may accumulate on the evaporator if the unit is repeatedly opened in a high heat or high humidity location. If this frost pattern does not clear within 24 hours, your unit will require manual defrosting.

Press  and hold for 6 seconds to manually defrost the unit; press and hold again to stop defrosting

If you are going on vacation, you may leave the refrigerator operating during vacations of less than three weeks. If the appliance will not be used for several months, you should remove all items and turn off the appliance. Clean and dry the interior thoroughly. To prevent mold growth, leave the door open slightly, blocking it open if necessary.

NOTE: Keep a thermometer handy and adjust temperature control settings as necessary according to your needs.

Troubleshooting

There are many common issues you may experience with your refrigerator that can be solved very easily, without the need of a service call. Try the tips below to troubleshoot your unit should you experience any problems:

PROBLEM	POSSIBLE CAUSE
Refrigerator does not operate	Not plugged in or the appliance is turned off The circuit breaker tripped or a fuse has blown out
Refrigerator is not cold enough	Check the temperature control setting External environment may require a higher setting The door is opened too often The door is not closed completely The door gasket is not sealing properly
Refrigerator is turning on and off frequently	The room temperature is hotter than normal. The door is opened too often. The door is not closed completely. The temperature control is not set correctly. The door gasket does not seal properly.
The light does not work	Not plugged in. The circuit breaker tripped or a fuse has blown. The light bulb has burned out. The light button is "OFF".
Vibrations	Check to assure that the refrigerator is on a level surface.
The refrigerator seems to make too much noise	A faint humming noise may come from the flow of the refrigerant, which is normal. As each cycle ends, you may hear gurgling sounds caused by the flow of refrigerant in your refrigerator. Contraction and expansion of the inside walls may cause popping and crackling noises. During the defrosting process you may hear a water flowing sound caused by water flowing into the drain trough. The refrigerator is not on a level surface.
The door will not close properly	The refrigerator is not on a level surface. The gasket is dirty. The shelves are out of position.
Smell/odor	Check for spills and for food or drink that is out of date or incorrectly packaged
Outer surface of appliance is wet	Condensation has formed and can be wiped dry
External surface is warm	Compressor is working to transfer heat from inside the cabinet

Technical Specifications

Dimensions	32-1/2" H x 23-5/8" W x 23-5/8" D (without Handle)
Cubic Footage	4.87 Cubic Feet
Weight	112.45 lbs. (empty)
Voltage / Frequency	110v / 60 Hz
Running Amps	1.3 A
Wattage	110W
Refrigerant	R600a
Operating Temperature	32°F - 50°F
Maximum Ambient Temperature	100°F

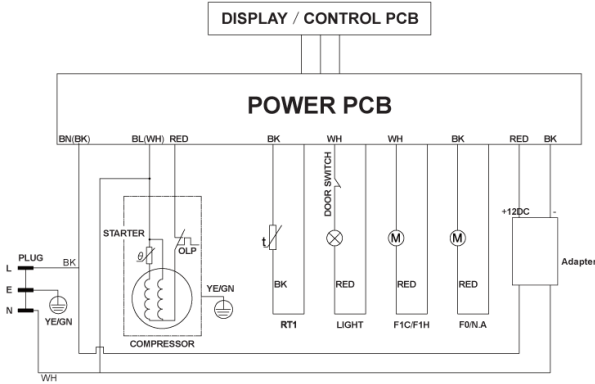


CONFORMS TO UL STD.471
 CERTIFIED TO CSA STD.C22.2 NO.120
 CONFORMS TO NSF STD.18



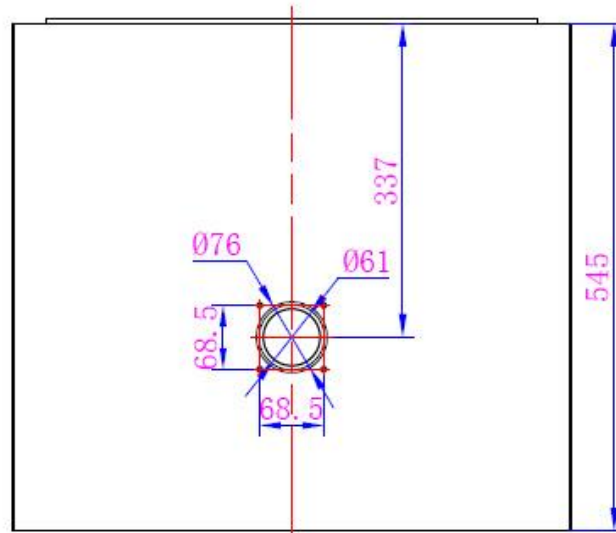
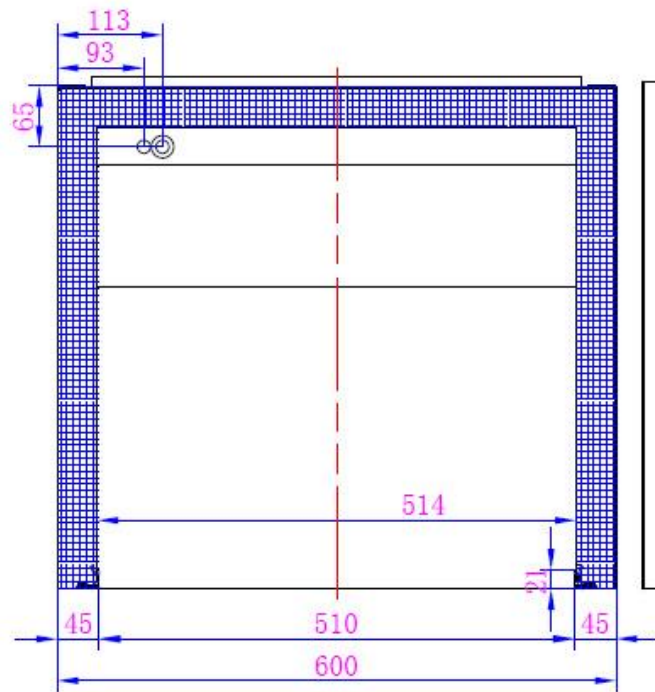
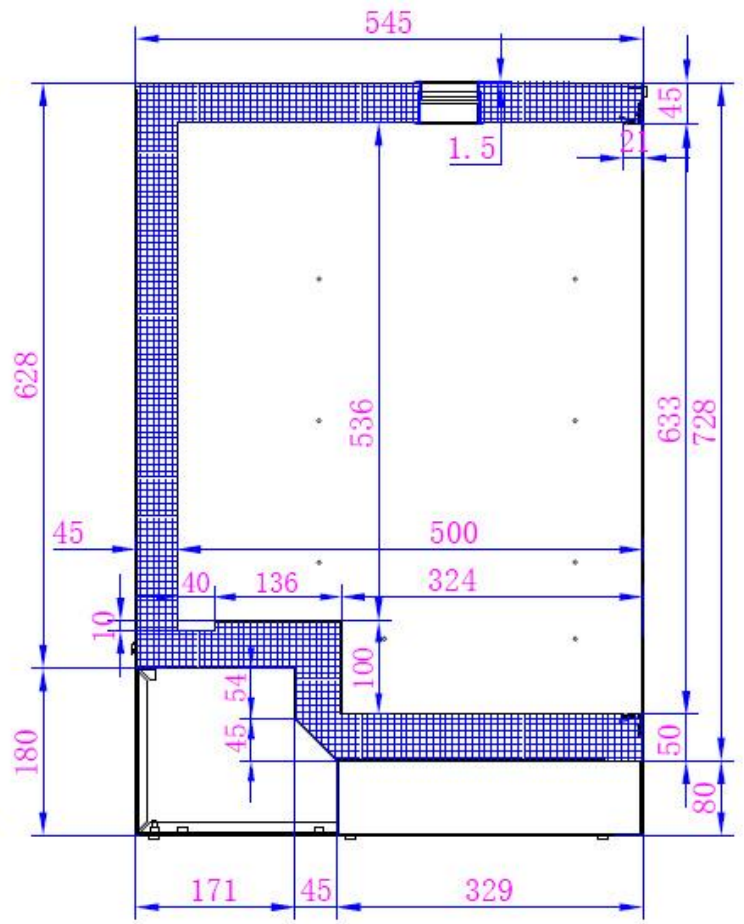
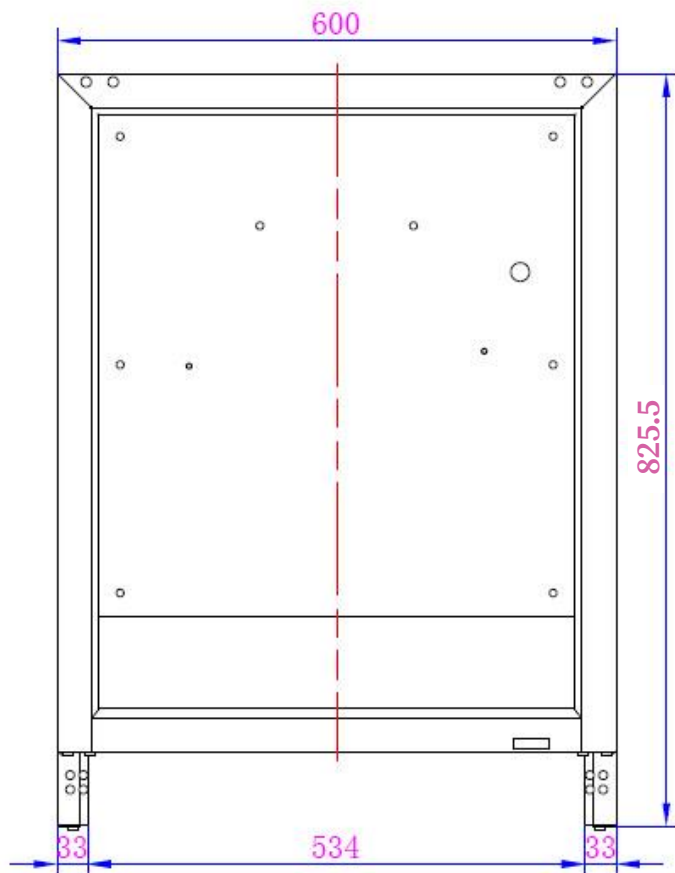
Intertek
 4008961

CIRCUIT DIAGRAM



BUILT-IN REFRIGERATOR

MODEL	HK-48ADA-BS
STORAGE VOLUME	4.87cu.ft
VOLTAGE	110V/60Hz
TOTAL AMPS	1.3A
REFRIGERANT	R600a/1.02oz
DIMENSIONS (HxWxD)	32.68x23.62x23.62inch
HIGH PRESSURE TEST	220 PSI
LOW PRESSURE TEST	43 PSI
SERIAL NO.	.82



U.S. Government

Federal law prohibits removal of this label before consumer purchase.

ENERGYGUIDE

Refrigerator

- Automatic Defrost



Cydea.dba beverage factory
Model(s):HK-48ADA-BS
Capacity:4.87 Cubic Feet

Compare ONLY to other labels with yellow numbers.
Labels with yellow numbers are based on the same test procedures.

Estimated Yearly Energy Cost

\$36



Cost range not available

300 kWh

Estimated Yearly Electricity Use

- Your cost will depend on your utility rates and use.
- Cost range based only on models of similar capacity with automatic defrost.
- Estimated energy cost based on a national average electricity cost of 12 cents per kwh.

ftc.gov/energy

Warranty Information

WHAT IS COVERED LIMITED ONE-YEAR WARRANTY:

For one year from the date of purchase by the original owner, Kegco will, at its option, repair or replace any part of the unit, which proves to be defective in material or workmanship under normal use. During this period Kegco will provide all parts and labor necessary to correct such defects free of charge, so long as the unit has been installed and operated in accordance with the written instructions in this manual. Kegco will provide you with a reasonably similar replacement product that is either new or factory refurbished. In rental or commercial use, the warranty period is 90 days. All Kegco Appliances of 3.5 cubic feet capacity or less must be brought/sent to the appliance service shop for repair.

LIMITED SECOND THROUGH FIFTH YEAR WARRANTY:

For the second through the fifth year from date of original purchase, Kegco Products will provide a replacement compressor free of charge due to a failure. You are responsible for the service labor and freight charges. In rental or commercial use, the limited compressor warranty is one year and nine months. Cost to move the appliance to the servicers' shop and back to the user's home, as may be required, are the user's responsibility.

WHAT IS NOT COVERED:

- Content losses of food or other, due to spoilage.
- Incidental or consequential damages.
- Parts and labor costs for the following will not be considered as warranty:
 - Door springs, and/or frames.
 - Inner door panels, door rails and/or door supports.
 - Light bulbs and/or plastic housing.
 - Plastic cabinet liners.
 - Punctured evaporator that voids the warranty on the complete sealed system.
 - Repairs performed by unauthorized servicers.
 - Shipping and handling costs associated with the replacement of the unit.
 - Service calls that do not involve defects in material or workmanship such as customer education, door reversal, or proper installation.
 - Surcharges including, but not limited to, any after hour, weekend, or holiday service calls, tolls, ferry trip charges, or mileage expense for service call to remote areas, including the State of Alaska.
 - Service calls that are related to external problems, such as abuse, misuse, inadequate electrical power, accidents, fire, floods, or acts of God.
 - Replacement of house fuses or resetting circuit breakers.
- Failure of the product if it is used for other than its intended purpose.
- This warranty does not apply outside the Continental USA.

SERVICE FOR YOUR REFRIGERATOR:

With the purchase of your Kegco appliance, you can have the confidence that if you ever need additional information or assistance, the Kegco Customer Service team will be here for you. Whatever your questions are about our products, help is available. Just call us toll-free.

KEGCO PRODUCT CUSTOMER SERVICES:

Product Information, Part Orders and In-Home Repair Service: **888-980-4810**