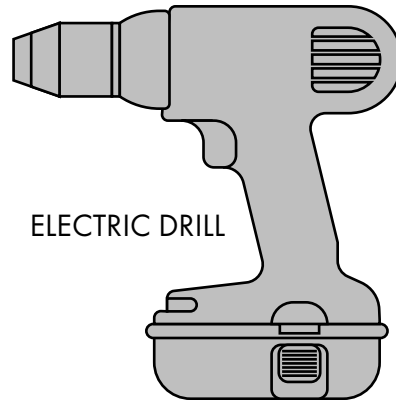
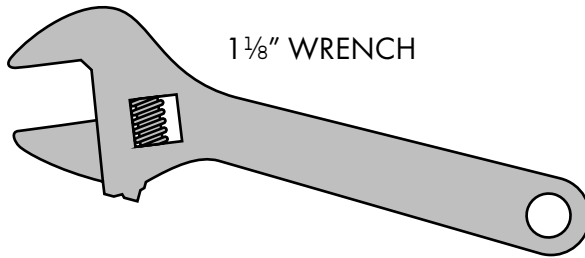
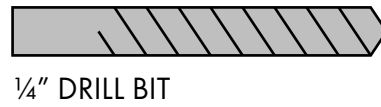
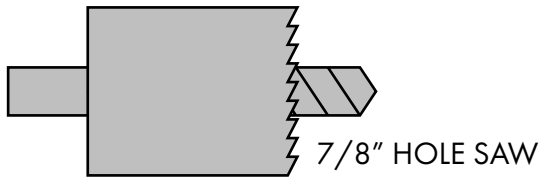


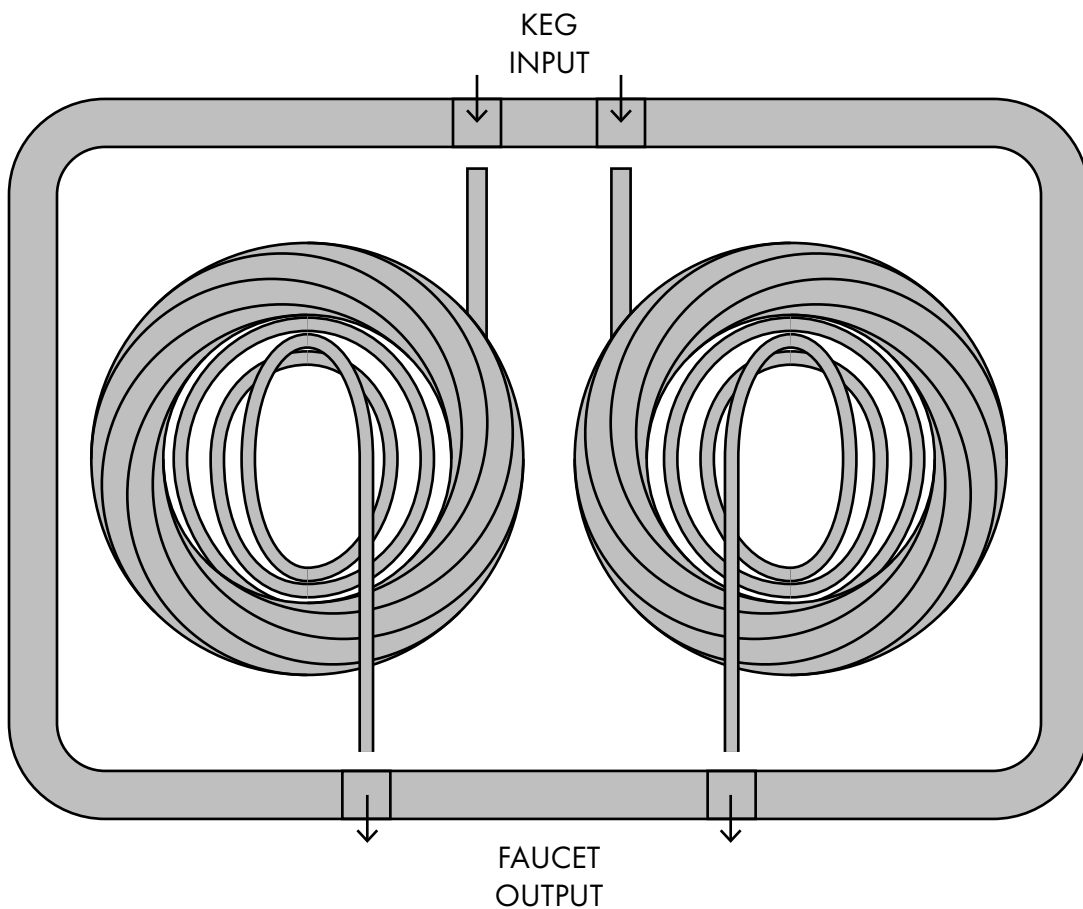
GATHER NECESSARY TOOLS

A few additional tools are necessary to complete the jockey box conversion



PLANNING YOUR JOCKEY BOX

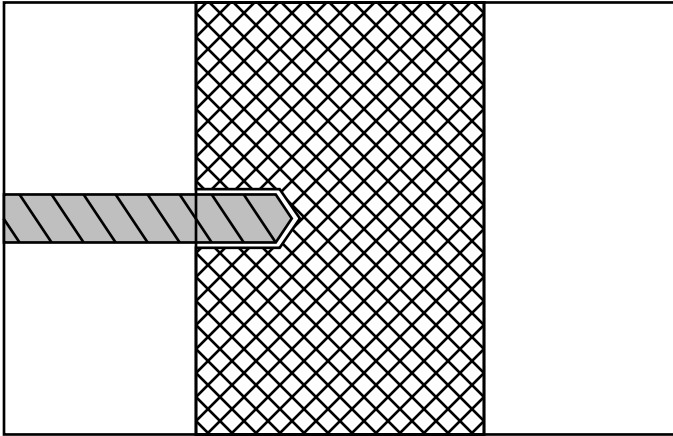
Place coils inside of your cooler and mark positions for input and output holes



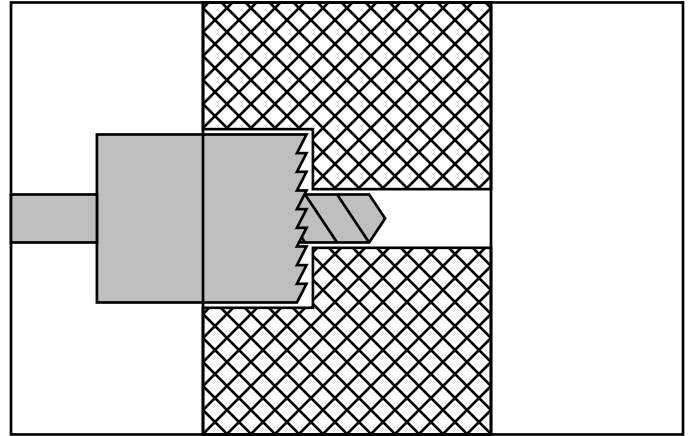
DRILLING INPUT/OUTPUTS

Place coils inside of cooler and mark positions for input and output holes

Drill 1/4" pilot hole through the wall



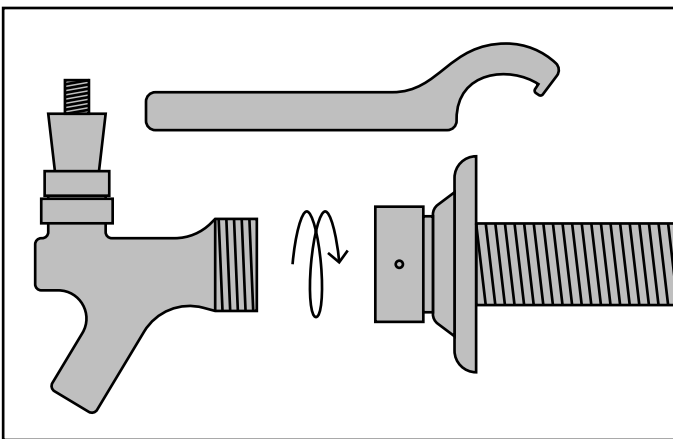
Follow up with a 7/8" hole saw



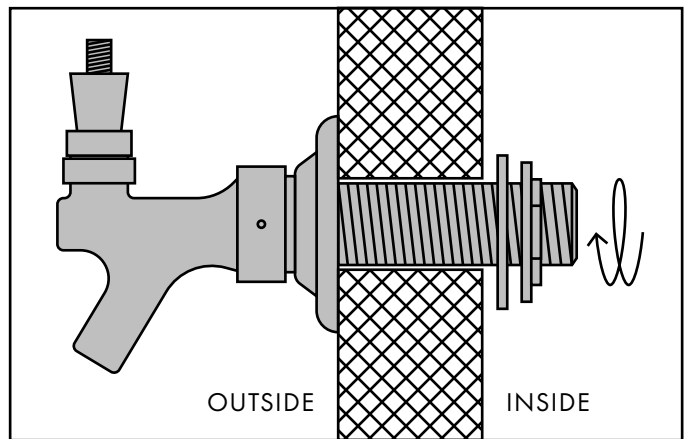
INSTALLING FAUCETS

Prepare faucet shank assemblies and affix them in the front-facing holes

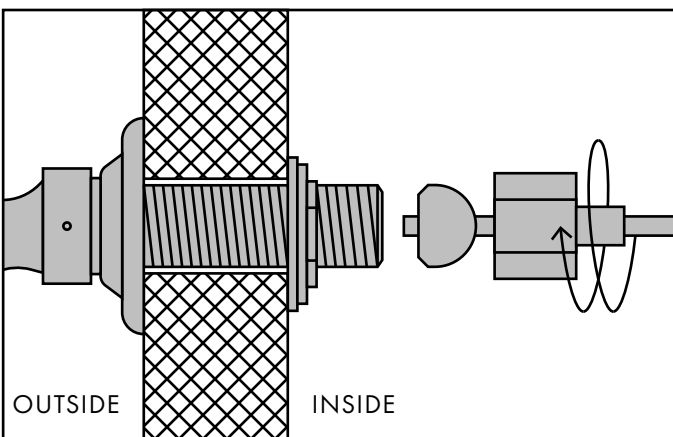
Use shank wrench to tighten faucet onto beer shank



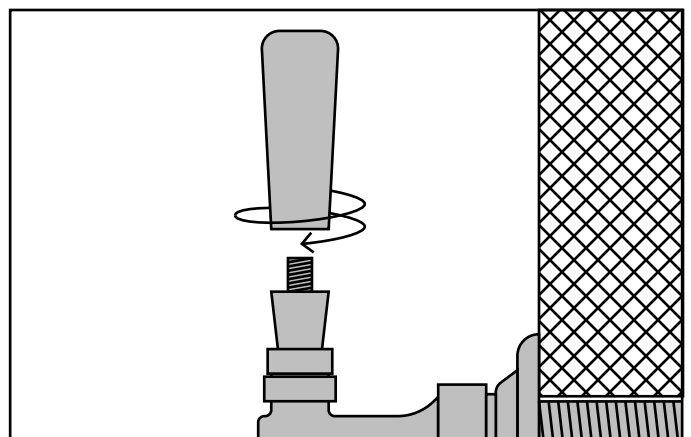
Insert shank, screw on washer and nut to secure



Screw on coil connector with rubber seal inside



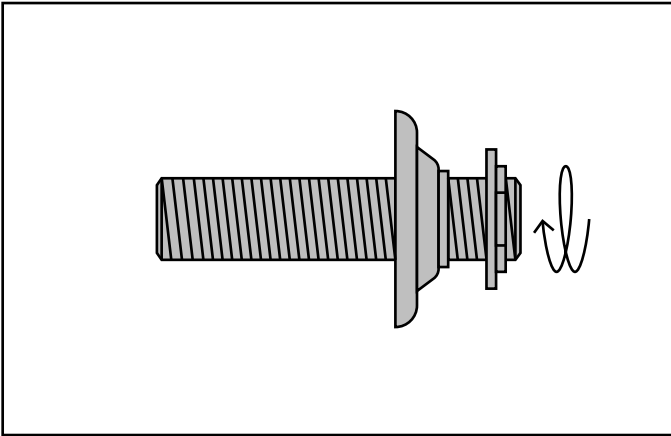
Screw on faucet handle



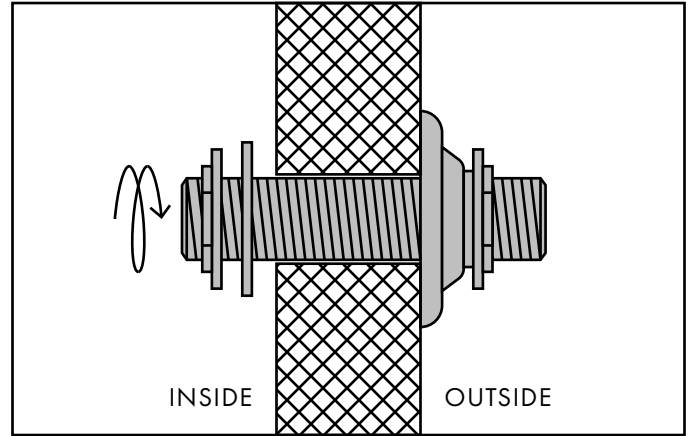
INSTALLING BEER INTAKES

Prepare intake shank assemblies and affix them in the rear-facing holes

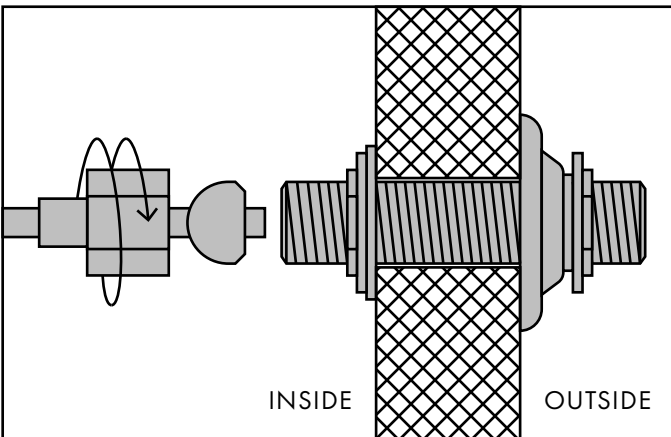
Screw on shank nut about 1 inch down length of shank



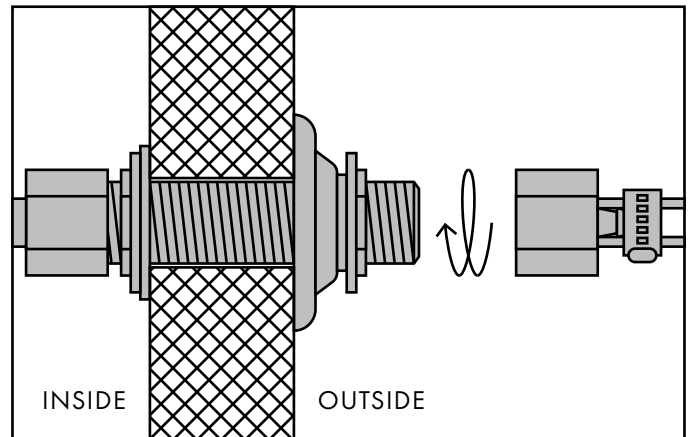
Insert shank, screw on washer and nut to secure



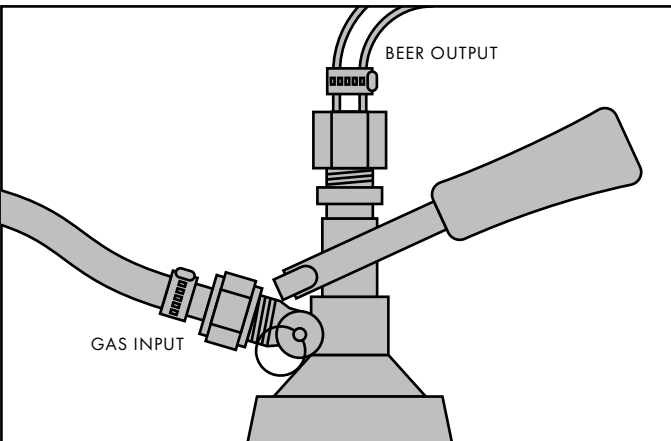
Screw on coil connector with rubber seal inside



Screw on beer line



Ensure beer line is connected to a pressurized keg



Fill jockey box with ice water, serve, and enjoy!

