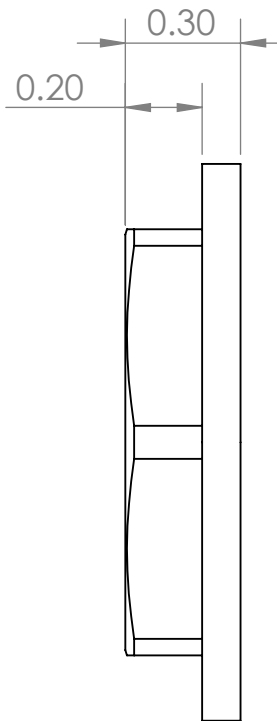
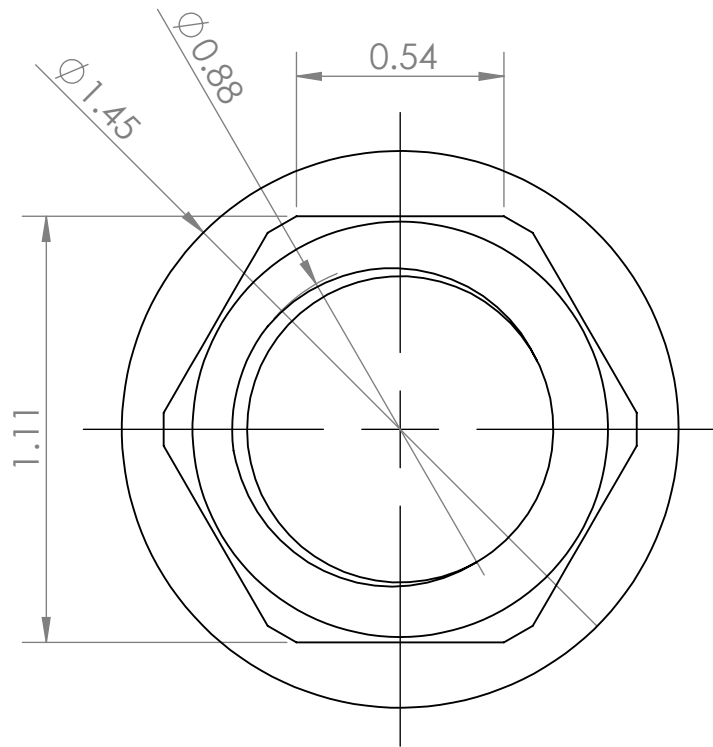
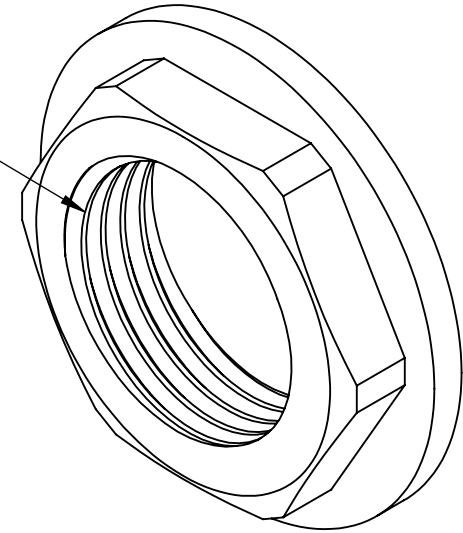


B



7/8" - 14



B

A

		UNLESS OTHERWISE SPECIFIED:		NAME	DATE			
		DIMENSIONS ARE IN INCHES		DRAWN		TITLE:		
		TOLERANCES:		CHECKED				
		FRACTIONAL \pm		ENG APPR.				
		ANGULAR: MACH \pm BEND \pm		MFG APPR.				
		TWO PLACE DECIMAL \pm		Q.A.		SIZE	DWG. NO.	REV
		THREE PLACE DECIMAL \pm		COMMENTS:		AC HV-SSS nut		
		INTERPRET GEOMETRIC TOLERANCING PER:				SCALE: 2:1	WEIGHT:	SHEET 1 OF 1
		MATERIAL						
		FINISH						
	NEXT ASSY	USED ON						
	APPLICATION		DO NOT SCALE DRAWING					

A

PROPRIETARY AND CONFIDENTIAL
 THE INFORMATION CONTAINED IN THIS DRAWING IS THE SOLE PROPERTY OF <INSERT COMPANY NAME HERE>. ANY REPRODUCTION IN PART OR AS A WHOLE WITHOUT THE WRITTEN PERMISSION OF <INSERT COMPANY NAME HERE> IS PROHIBITED.

2

1