



15" Marvel Glass Door Clear Ice Machine with Arctic Illuminice™ Lighting

Models# ML15CLG & ML15CPG

Performance

- The quietest ice machine you can buy
- New energy-saving options conserve water and electricity
- Engineered to consistently produce pure, clear ice with unrivaled clarity, immediate cooling and slower melt
- Produces up to 39 pounds of clear ice daily, the equivalent of nearly eight convenience-store ice bags
- Close Door Assist System™ prevents energy loss by automatically drawing door to a gentle close
- Streamlined componentry and single-connection water fitting for simple installation

Storage Capabilities

- Stores 35 pounds of clear ice in thermal-insulated ice bin
- Ice scoop included
- Easy-to-clean, hygienic interior surface

Touchscreen Controls

- Multifunction Marvel Intuit™ Integrated Controls adapt ice production to usage needs
- Eco Ice™ and Vacation/Delay Start modes save up to 25% water and electricity
- Audible alerts and programmed cleaning reminders

Aesthetics

- Glass door showcases new Illuminice™ feature that projects arctic white LED lighting through clear ice for a dazzling illumination effect
- Designer handle and adjustable black toe kick
- Height adjustable up to 1" with leveling legs
- Finish options: stainless steel

Warranty

- 1-year parts and labor warranty, 5-year sealed system parts warranty

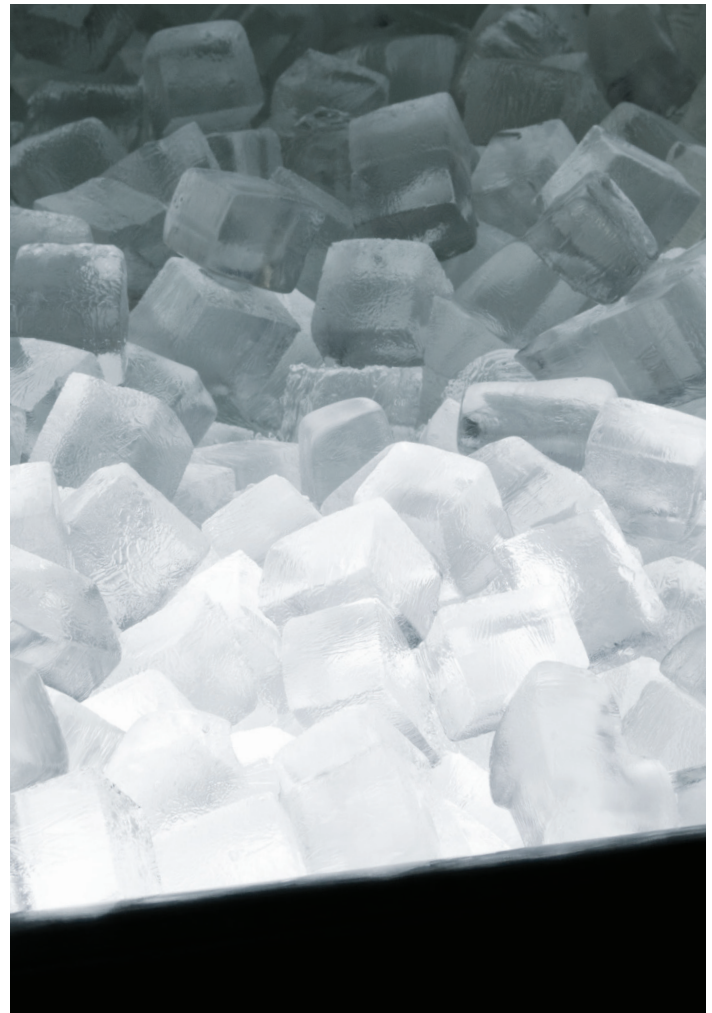
Ordering Options

	Gravity Drain	Factory Installed Pump
Stainless Steel Framed Glass Door, Right Hinge	ML15CLG1RS	ML15CPG1RS
Stainless Steel Framed Glass Door, Left Hinge	ML15CLG1LS	ML15CPG1LS
Clear Ice Machine Cleaner, 4-oz. bottle	S41013789	

24-Hour Ice Production

Air Temp	72°F	90°F
Water Temp	55°F	72°F
Ice Production	39.83 lbs	33.44 lbs

Air and water temperature can impact the ice production rate of your clear ice machine.



Finish Options



Stainless Steel Framed Glass

Proper Ice Machine Care

Each model is programmed with manufacturer-recommended cleaning reminders. To ensure maximum performance and ice quality, clean your ice machine once every 6 months or more depending on use and water quality.

For Marvel-approved cleaning accessories, see Ordering Options.

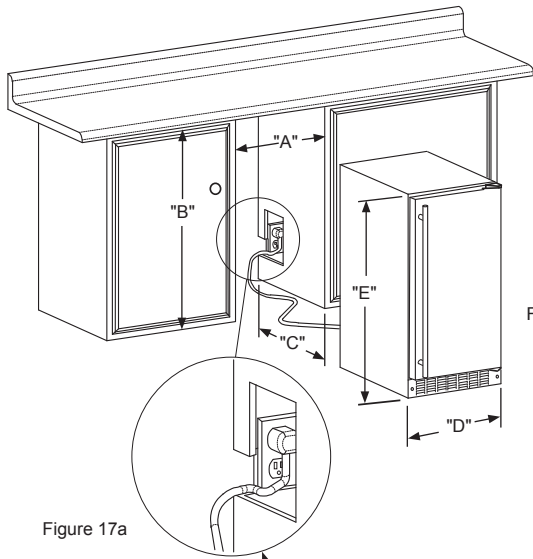


Figure 17a



Figure 18

If necessary to gain clearance inside the rough-in opening a hole can be cut through the adjacent cabinet and the power cord routed through this hole to a power outlet. Another way to increase the available opening depth is to recess the power outlet into the rear wall to gain the thickness of the power cord plug. Not all recessed outlet boxes will work for this application as they are too narrow, but a recessed outlet box equivalent to Arlington #DVR1W is recommended for this application, (see Figure 18).

Figure 17

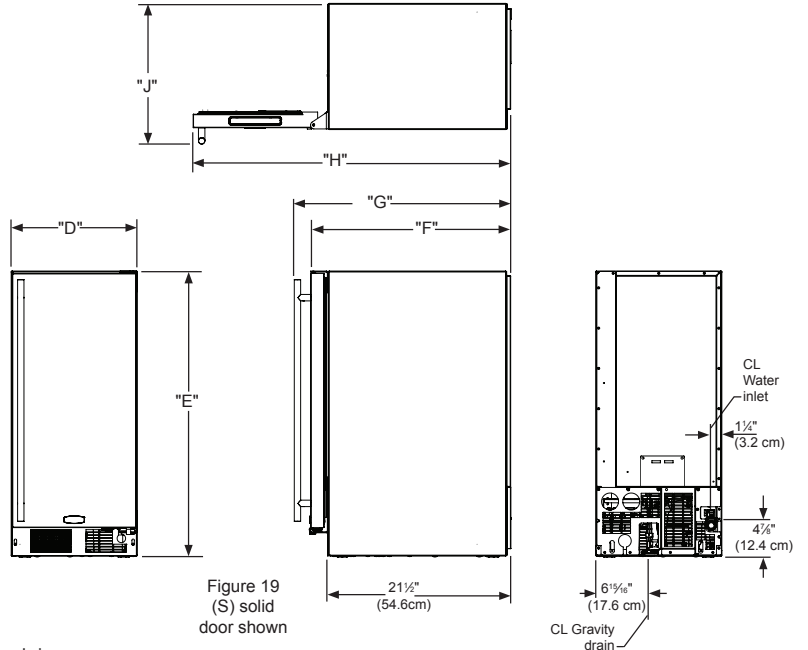


Figure 19
(S) solid door shown

MODEL	ROUGH-IN OPENING DIMENSIONS			CABINET DIMENSIONS					
	"A"	"B"	"C"	"D"	"E"	"F"	"G"	"H"	"J"
ML15CLG*	15" (38.1 cm)	**34" to 35" (86.4 to 88.9 cm)	24" (61 cm)	14 ⁷ / ₈ " (37.8 cm)	33 ³ / ₄ " to 34 ³ / ₄ " (85.7 to 88.3 cm)	23 ⁵ / ₈ " (60 cm)	25 ⁹ / ₁₆ " (64.9 cm)	37 ¹³ / ₃₂ " (95 cm)	16 ¹¹ / ₁₆ " (42.4 cm)

DOOR STYLE
(G) Glass Door

Width	14 ⁷ / ₈ "	Control Type	Intuit™
Interior Finish	White	Lock	No
Capacity	35 lbs	Electrical Requirements	120V / 60Hz / 15A
Other Storage	Ice Bin	Length of Power Cord	5'
Interior Lighting	(1) Arctic White Waterproof LED Pod	Shipping Weight	160 lbs
Toe Grill Finish	Black	Appliance Weight	90 to 100 lbs
Hinge	Classic Hinge	Finishes	SS
Handle	Designer	Agency Approvals	CSA

Finishes Key
SS = Stainless Steel